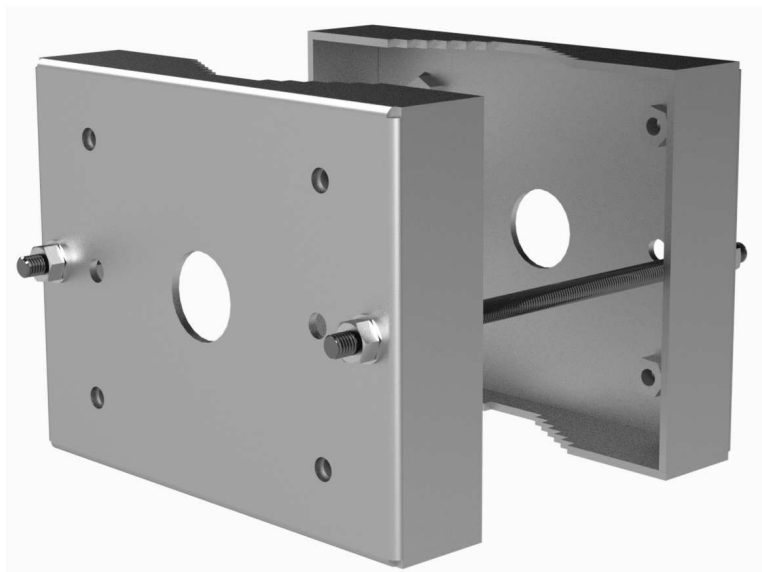


DATASHEET

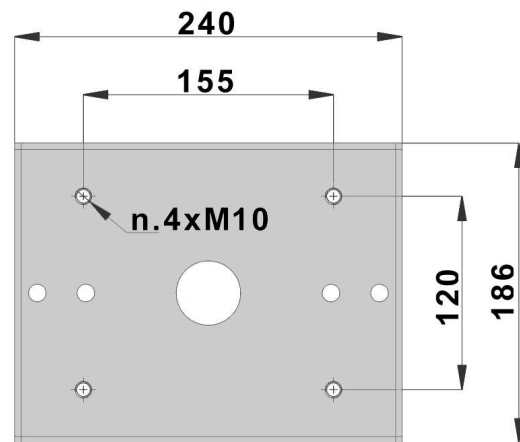
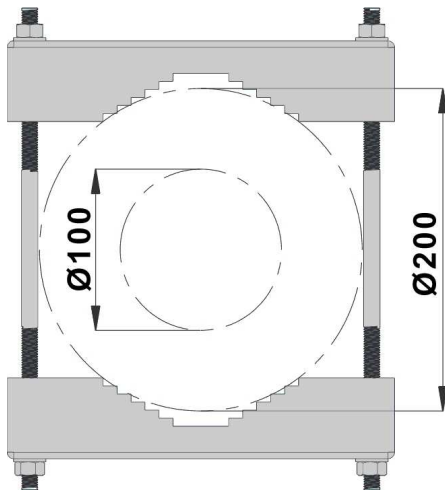
SP/CB Pole adaptor

- Made of AISI 316L stainless steel
- Suitable for pole min. Ø100mm to max. Ø200mm
- Stainless steel bolts and screws.
- Max. load: 40 Kg.
- Weight: 5,5Kg.



DATASHEET

TECHNICAL DRAWINGS



the values are in millimeters