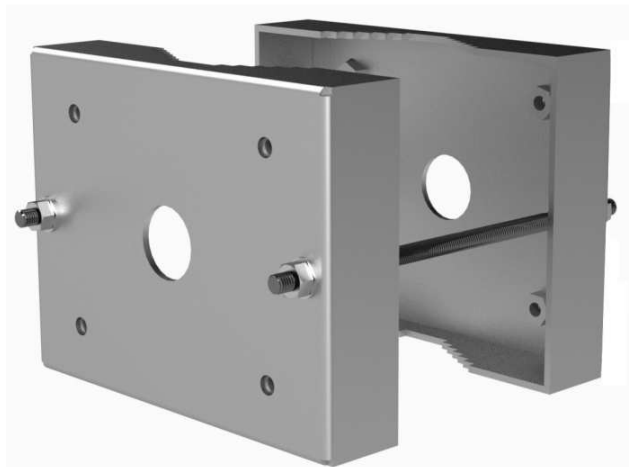


DATASHEET

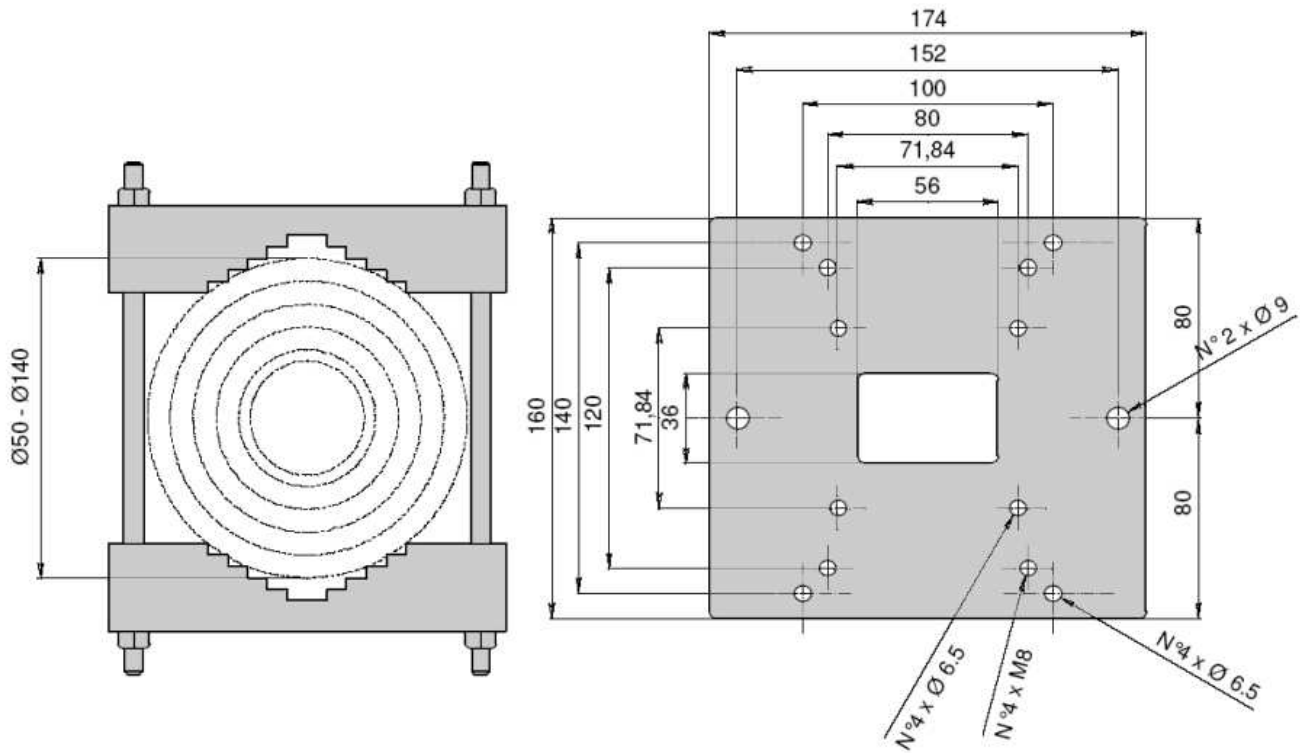
SP/C pole adaptor

- Made of AISI 316L stainless steel
- Suitable for pole min. Ø50mm to max. Ø140mm
- Stainless steel bolts and screws.
- Max. load: 25 Kg.
- Weight: 2,5Kg.



DATASHEET

TECHNICAL DRAWINGS



the values are in millimeters