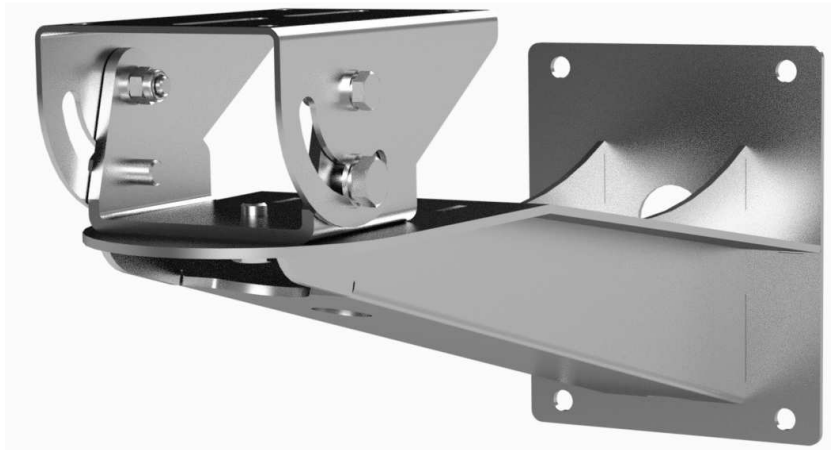


DATASHEET

ST 910

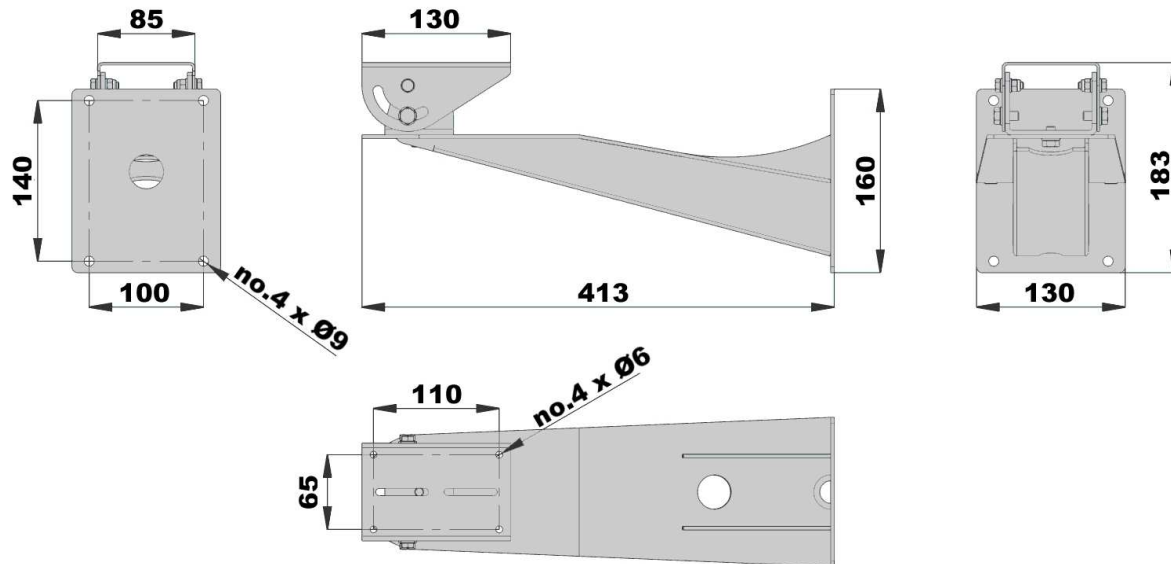
wall bracket and joint

- Made of AISI 316L stainless steel
- Length: 413mm
- Pan rotation: 360°
- Tilt rotation: 15° up and 80° down.
- Stainless steel bolts and screws.
- Max. load: 25Kg.
- Weight: 3,5Kg.



DATASHEET

TECHNICAL DRAWINGS



the values are in millimeters