

DATASHEET

PTX200DH-IR

PAN&TILT positioning unit -Dual Head- made of AISI 316L stainless steel

- Sturdy AISI 316L stainless steel construction
- 'Top mount' system
- Analog and IP ready
- Housing with clear glass and wiper
- IR illuminator with 850nm infrared wavelength and up to 210m illumination distance
- IP66/IP67 weatherproof rating
- Easy installation



Pan & tilt unit made of AISI 316L stainless steel

The **PTX200DH-IR** P&T unit is made of sturdy AISI 316L stainless steel with electropolishing treatment, that makes the product high resistant and suitable for marine and/or aggressive environments. Some of its peculiar features are: the high speed of both horizontal and vertical movements (up to 50°/sec), the maximum precision and the connection versatility. This P&T unit is ready to be connected to both analog and IP cameras; in the latter case, all the PELCO-D protocol commands are sent to the camera that has to be ONVIF-S compliant.

The PTX200DH-IR P&T unit is equipped with two housings: one is ready for visible light cameras (video surveillance) and it features a wiper, while the other one contains an infrared illuminator with 850nm infrared wavelength and up to 210m illumination distance. The exclusive PTZ Controller software, that is provided as standard equipment, allows the management and configuration of all the presets, in order to obtain the best system performance.

There is a wide range of washer tanks with integrated pump and several delivery head options available, in addition to other accessories: wall bracket, pole adaptor, corner adaptor, etc.

DATASHEET

TECHNICAL DATA

GENERAL

Material	AISI 316L stainless steel
Finishing	electropolishing
Horiz. movement (Pan)	360° (continuous rotation)
Vert. movement (Tilt)	180° (+/- 90°)
Electronically adjustable speed	Pan: 0 < 50°/s Tilt: 0 < 50°/s
Max. precision	+/- 0,1°
Operating temperature	from -30°C to +60°C (da -22°F a +144°F) <i>(with heater ON)</i>
Weatherproof rating	IP66/IP67
Cable entry	no.3 M16x1,5 metal cable glands no.1 M25x1,5 metal cable gland
Dimensions	(see technical drawings on the next page)
Weight	28Kg <i>(without the camera)</i>

ELECTRICAL

Power	220/240Vac 50/60Hz - 0,5A 110/120Vac 50/60Hz - 1,1A 24Vac 50/60Hz -5A
Consumption	100W max. 20W typical <i>(with P&T unit ON)</i> PTX200DH-IR double head with heater and IR illuminator ON: 100W max

CONNECTION INTERFACE

Compatible with IP cameras with RS485 serial port and Onvif profile S communication protocol.	
Serial interface	RS485 with Pelco D protocol
Ethernet interface	Ethernet 10/100 Base-T (8 wires) BNC connector (as an alternative)
Input alarm	1 input (10-35Vdc)
Output alarm	1 open collector output (max. 35Vdc – 0,5A)

INFRARED ILLUMINATION DISTANCES

ANGLE	DISTANCE (meters) *
10°	210
30°	160
60°	90

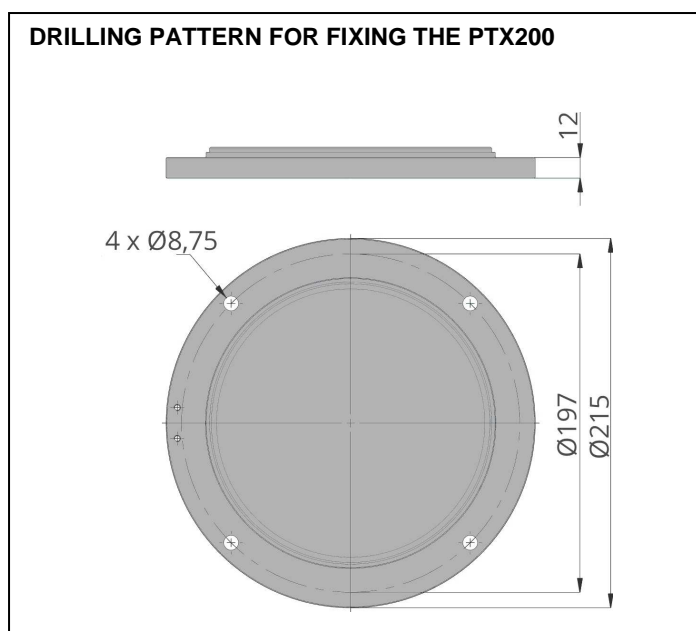
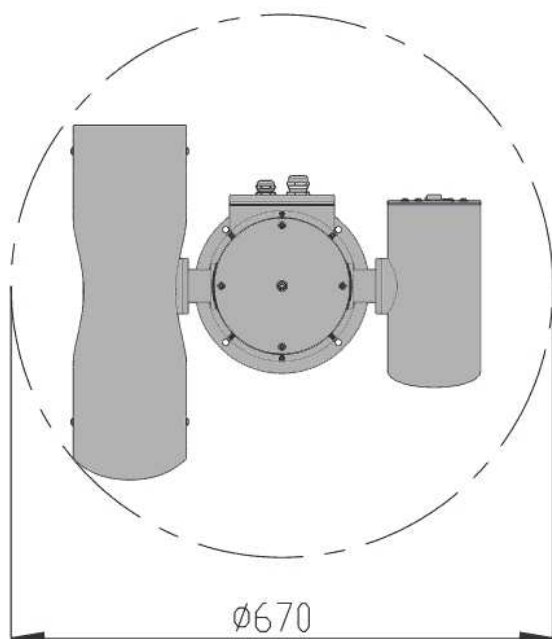
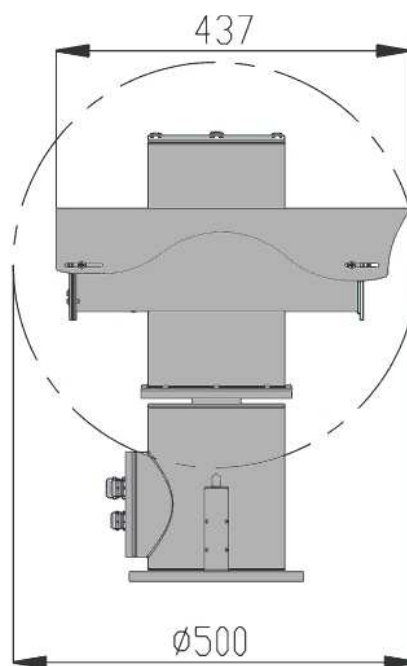
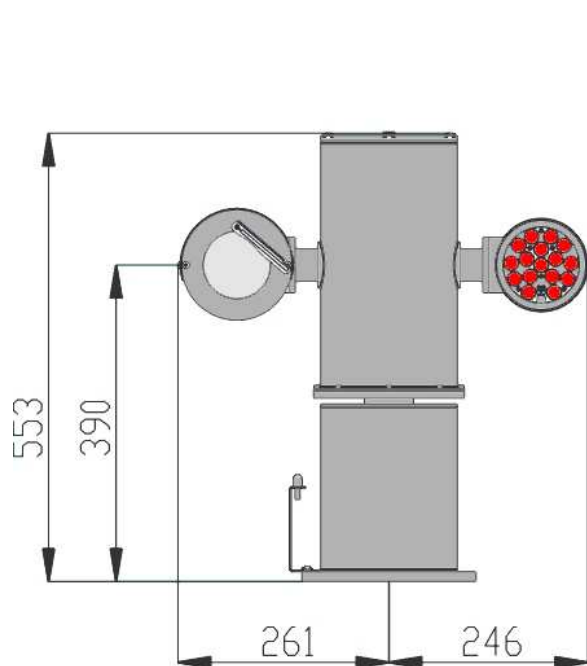
* The distance is expressed in meters and it depends on: the camera sensitivity to IR radiation, the optical lens, the reflection coefficient of the area, etc.

ACCESSORIES

ST200	wall bracket
SP/CB	pole mount adapter
SA/CB	corner mount adapter
WTP5	5 l washer tank 5 m, 11 m or 19 m delivery head (depending on the model)
WTP25	25 l washer tank 5 m, 11 m or 19 m delivery head (depending on the model)

DATASHEET

TECHNICAL DRAWINGS



All the dimensions are expressed in millimeters.