

# WV-S25500-F3L

5MP Vandal Resistant Outdoor Dome Network Camera

**New S-series wide lineup high resolution network camera with AI engine**



- 5MP
- Intelligent Auto (with AI Engine)
- Super Dynamic 132dB
- Color night vision (0.12 to 0.17 lx)
- Smart Coding (with AI Engine)
- Built-in IR LED
- 50J, IK10 Vandal Resistant
- Built-in FIPS 140-2 Level 3 Certified Secure Element (EdgeLock® SE050F NXP® Semiconductors)
- NDAA Compliant



# SPECIFICATIONS

| Camera  |   |
|---|---|
| Image Sensor                                      | Approx. 1/2.8 type CMOS image sensor  |
| Minimum Illumination                              | Color : 0.12 lx (30IRE, F2.0, 1/30s) , Color : 0.17 lx (50IRE, F2.0, 1/30s)<br>BW : 0.1 lx (50IRE, F2.0, 1/30s) , BW : 0 lx (50IRE, F2.0,1/30s with IR LED) |
| White Balance                                     | ATW1 / ATW2 / AWC   |
| Shutter Speed                                     | [30 fps] 1/30 Fix to 1/10000 Fix, [25 fps] 1/25 Fix to 1/10000 Fix  |
| Intelligent Auto                                  | On / Off  |
| Super Dynamic                                     | On / Off, The level can be set in the range of 0 to 31.   |
| Dynamic Range                                     | Max.132 dB (Super Dynamic : On, Level 31)   |
| Adaptive Black Stretch                            | The level can be set in the range of 0 to 255.  |
| Back light compensation / High light compensation | BLC (Back light compensation) / HLC (High light compensation) / Off<br>(only when Super dynamic / Intelligent Auto : Off)                                   |
| Fog Compensation                                  | On / Off (only when Intelligent auto / auto contrast adjust : Off)  |
| Maximum Gain (AGC)                                | The level can be set in the range of 0 to 11.   |
| Color/BW (ICR)                                    | Off / On (IR Light Off) / On (IR Light On) / Auto1 (IR Light Off) /<br>Auto2 (IR Light On) / Auto3 (SCC)  |
| IR LED Light                                      | High / Middle / Low / Off,<br>Maximum irradiation distance : 35 m {Approx. 115 ft} (30IRE) , 25 m {Approx. 82 ft} (50IRE)                                   |
| Digital Noise Reduction                           | The level can be set in the range of 0 to 255.  |
| Video Motion Detection (VMD)                      | On / Off, 4 areas available   |
| Scene Change Detection (SCD)                      | On / Off, 1 areas available   |
| Audio Detection                                   | On / Off  |
| AI Sound classification                           | Gunshot, Yell, Vehicle horn, Glass break  |
| AI Analytics                                      | Yes   |
| Privacy Zone                                      | On / Off, Up to 8 zones available   |
| VIQS  | On / Off, Up to 8 zones available   |
| Image rotation                                    | 0 ° / 90 ° / 180 ° / 270 °  |
| Camera Title (OSD)                                | On / Off, Up to 40 characters (alphanumeric characters, marks)  |
| Lens  |   |
| Optical Zoom                                      | 1x  |
| Extra zoom  | 1x - 3x (when resolution is 640 x 360)  |
| Focal Length                                      | 3.2 mm {1/8 inches}   |
| Angular Field of View                             | [16 : 9 mode] Horizontal : 95°, Vertical : 52<br>[ 4 : 3 mode] Horizontal : 95°, Vertical : 70°   |
| Maximum Aperture Ratio                            | 1 : 2.0   |
| Focusing Range                                    | 1.0 m {39-3/8 inches} - ∞   |
| DORI  |   |
| Detect (25ppm / 8ppf)                             | 56.3 m / 184.7 ft   |

|                            |                  |
|----------------------------|------------------|
| Observe (62.5ppm / 19ppf)  | 22.5 m / 73.9 ft |
| Recognize (125ppm / 38ppf) | 11.3 m / 36.9 ft |
| Identify (250ppm / 76ppf)  | 5.6 m / 18.5 ft  |

### System on Chip (SoC)

|                      |                |
|----------------------|----------------|
| System on Chip (SoC) | Ambarella CV22 |
|----------------------|----------------|

### Adjusting Angle

|                 |   |
|-----------------|---|
| Adjusting Angle | Horizontal : -194 to +166°, Vertical : -30 to +85°, Yaw : ±100° |
|-----------------|---|

### Browser GUI

|                           |  |
|---------------------------|--|
| Camera Control            | Brightness, AUX On / Off   |
| Audio                     | Mic (Line) Input : On / Off Volume adjustment : Low / Middle / High<br>Audio Output : On / Off Volume adjustment : Low / Middle / High |
| GUI / Setup Menu Language | English, Italian, French, German, Spanish, Portuguese, Russian, Chinese, Japanese  |
| Browser                   | Microsoft Edge, Firefox, Google Chrome   |

### Network

|   |   |
|---|---|
| Network IF                              | 10Base-T / 100Base-TX, RJ45 connector   |
| Resolution H.265 / H.264 / JPEG (MJPEG) | [16:9 mode (30 fps mode)][16:9 mode (25 fps mode)]<br>3072x1728/2560x1440/1920x1080/1280x720/640x360/320x180<br>[4:3 mode (30 fps mode)][4:3 mode (25 fps mode)]<br>3072x2304/2560x1920/1280x960/800x600/VGA/400x300/320x240  |
| JPEG - Image Quality                    | 10 steps  |
| Smart Coding                            | GOP (Group of pictures) control: Off / Low (Variable GOP 1s-8s) / Mid (Variable GOP 4s-16s) /<br>Advanced (Fixed GOP 60s w/1s key-frame) / Frame rate control (Variable GOP 4s-16s with frame rate<br>control)<br>*Advanced and Frame rate control are only available with H.265.<br>Smart VIQS: On(High)/On(Low)/Off, Smart P-picture control: On/Off                            |
| Audio Compression                       | G.726 (ADPCM) : 16 kbps / 32 kbps, G.711 : 64 kbps, AAC-LC : 64 kbps / 96 kbps / 128 kbps   |
| Audio Transmission Mode                 | Off / Mic (Line) input / Audio output / Interactive (Half duplex) / Interactive (Full duplex)   |
| Supported Protocol                      | IPv6 : TCP/IP, UDP/IP, HTTP, HTTPS, SSL/TLS, SMTP, DNS, NTP, SNMPv1/v2/v3, DHCPv6, RTP, MLD, ICMP,<br>ARP, IEEE 802.1X, DiffServ, SFTP, MQTT, LLDP<br>IPv4 : TCP/IP, UDP/IP, HTTP, HTTPS, SSL/TLS, RTSP, RTP, RTP/RTCP, SMTP, DHCP, DNS, DDNS, NTP,<br>SNMPv1/v2/v3, UPnP, IGMP, ICMP, ARP, IEEE 802.1X, DiffServ, SRTP, SFTP, MQTT, LLDP   |
| No. of Simultaneous Users               | Up to 14 users (Depends on network conditions)  |
| Secure                                  | FIPS 140-2 level 3 Certified Secure Element (NXP® EdgeLock® SE050F), Device Certificate GlobalSign®<br>pre-installed,<br>User authentication, Host authentication, HTTPS, 802.1X Support, Data encryption   |
| SDXC/SDHC/SD Memory Card (Option)       | H.265 / H.264 recording :<br>Manual REC / Alarm REC (Pre/Post) / Schedule REC / Backup upon network failure<br>JPEG recording : Manual REC / Alarm REC (Pre/Post) / Backup upon network failure<br>Compatible SDXC/SDHC/SD Memory Card :<br>microSDXC memory card : 64 GB, 128 GB, 256 GB, 512 GB<br>microSDHC memory card : 4 GB, 8 GB, 16 GB, 32 GB, microSD memory card : 2 GB |
| Mobile Terminal Compatibility           | iPad, iPhone(iOS 8.0 or later), Android™ terminals  |
| ONVIF Profile                           | G / M / S / T   |

### Alarm

|               |   |
|---------------|---|
| Alarm Source  | 3 terminals input, VMD alarm, Command alarm, Audio detection alarm  |
| Alarm Actions | SDXC/SDHC/SD memory recording, E-mail notification,<br>HTTP alarm notification Indication on browser, TCP alarm notification output |

### Input/Output

|                                 |   |
|---------------------------------|---|
| Monitor Output (for Adjustment) | VBS : 1.0 V [p-p] / 75 Ω, composite, Pin jack<br>An NTSC or PAL signal can be outputted from camera |
|---------------------------------|---|

|                        |  |
|------------------------|--|
| Audio input            | ø3.5 mm stereo mini jack   |
| Audio Output           | ø3.5 mm stereo mini jack (monaural output)<br>Output impedance : Approx. 600 Ω (unbalanced) , Output level : -20 dBV   |
| External I/O Terminals | ALARM IN 1 (Alarm input 1/ Black & white input/ Auto time adjustment input) (x1)<br>ALARM IN 2 (Alarm input 2/ ALARM OUT) (x1), ALARM IN 3 (Alarm input 3/ AUX OUT) (x1) |

| General                            |  |
|------------------------------------|--|
| Safety                             | UL (UL62368-1), c-UL (CSA C22.2 No.62368-1), CE, IEC62368-1  |
| EMC                                | FCC (Part15 ClassA), ICES-003 ClassA, EN55032 ClassA, EN55035  |
| Power Source and Power Consumption | DC power supply : DC12 V 880 mA, Approx. 10.6 W<br>PoE (IEEE802.3af compliant) Device : DC48 V 220 mA, Approx. 10.6 W (Class 0 device)                           |
| Ambient Operating Temperature      | -40 °C to +60 °C (-40 °F to 140 °F)<br>(Power On range : -30 °C to +60 °C {-22 °F to +140 °F})   |
| Ambient Operating Humidity         | 10 to 100 % (no condensation)  |
| Anti-Condensation System           | Temish element + Heater + moisture absorption gel  |
| Water and Dust Resistance          | IP66, Type 4X(UL50E), NEMA 4X compliant  |
| Shock Resistance                   | 50 J (IEC 60068-2-75 compliant), IK10 (IEC62262)   |
| Dimensions                         | ø154 mm x 105 mm (H) {ø6-1/16 inches x 4-1/8 inches (H)}   |
| Mass (Approx.)                     | Approx. 1.1 kg {2.43 lbs.}   |
| Finish                             | Main body : Aluminum die cast, i-PRO white<br>Outer fixing screws : Stainless steel (Corrosion-resistant treatment)<br>Dome section : Polycarbonate resin, Clear |

## NOTES

### Important

- Safety Precautions : Carefully read the Basic Information, Installation Guide and Operating Instructions before using this product.  
- i-PRO Co., Ltd. cannot be held responsible for the performance of the network and/or other manufacturers' products used on the network.

- Masses and dimensions are approximate. Specifications are subject to change without notice.

### Trademarks and registered trademarks

- iPad and iPhone are trademarks of Apple Inc., registered in the U.S. and other countries. - Android is a trademark of Google LLC.  
- ONVIF is a trademark of ONVIF, Inc.  
- All other trademarks identified herein are the property of their respective owners

©i-PRO Co., Ltd All rights reserved / November 2022

## OPTIONAL ACCESSORIES

Select a compatible accessory

[Accessory Selector \(i-pro.com\)](http://i-pro.com)



WV-CW7CN  
Dome cover



WV-CW7S  
Dome cover



WV-CW7SN  
Dome cover



WV-QWL500-W  
Mount Bracket



WV-QJB500-W  
Mount Bracket



WV-QSR501-W  
Mount Bracket



WV-QWL501-W  
Mount Bracket



WV-QSR500-W  
Sun Shade



WV-QJB501-W  
Base Bracket



WV-QPL500-W  
Mount Bracket



WV-QCN500-W  
Mount Bracket



WV-QCL501-W  
Mount Bracket



WV-QAT501-W  
Attachment Pipe  
Bracket



WV-QCL101-W  
Mount Bracket



WV-QAT500-W  
Attachment pipe



WV-QCL100-W  
Mount Bracket



WV-QEM500-W  
Mount Bracket



WV-Q105A  
Mount Bracket



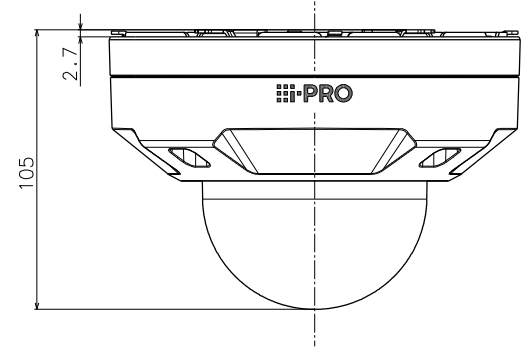
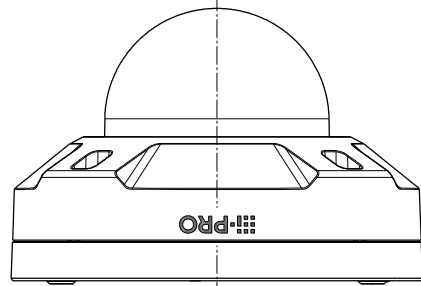
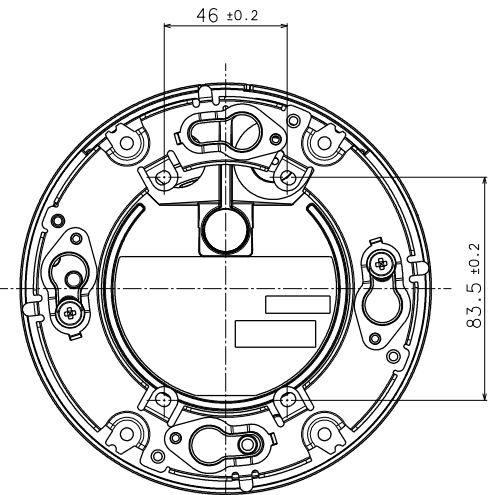
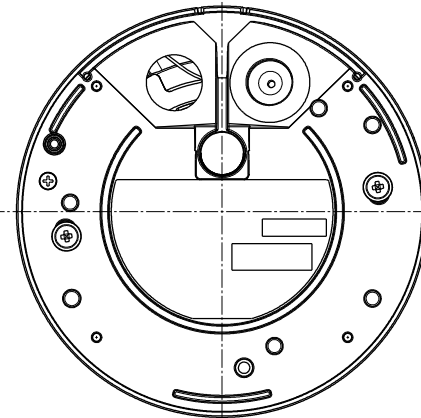
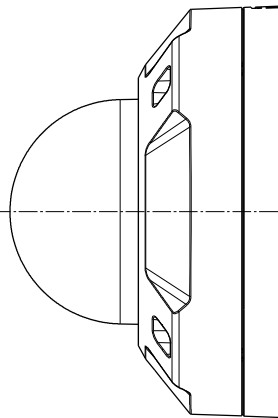
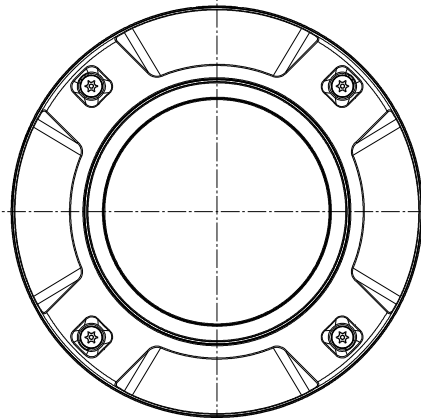
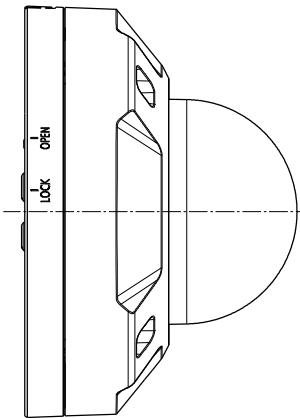
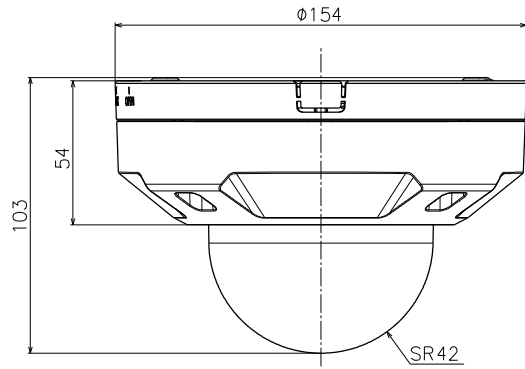
WV-QJB504-W  
Base Bracket



WV-QCA501A  
I/O Cable



WV-QCA500A  
RJ45 Ethernet Cable



With Attachment plate

| Model number    | Dome type  | Dome coating | Color       |
|-----------------|------------|--------------|-------------|
| WV-S25500-V3LN  | Clear dome | ClearSight   | i-PRO white |
| WV-S25500-V3LNJ | Clear dome | ClearSight   | i-PRO white |
| WV-S25500-V3LN1 | Clear dome | ClearSight   | Black       |
| WV-S25500-V3L   | Clear dome | No           | i-PRO white |
| WV-S25500-V3LG  | Smoke dome | No           | i-PRO white |
| WV-S25600-V2LN  | Clear dome | ClearSight   | i-PRO white |
| WV-S25600-V2L   | Clear dome | No           | i-PRO white |
| WV-S25600-V2LG  | Smoke dome | No           | i-PRO white |
| WV-S25700-V2LN  | Clear dome | ClearSight   | i-PRO white |
| WV-S25700-V2LNJ | Clear dome | ClearSight   | i-PRO white |
| WV-S25700-V2LN1 | Clear dome | ClearSight   | Black       |
| WV-S25700-V2L   | Clear dome | No           | i-PRO white |
| WV-S25700-V2LG  | Smoke dome | No           | i-PRO white |
| WV-S25500-F3L   | Clear dome | No           | i-PRO white |
| WV-S25500-F6L   | Clear dome | No           | i-PRO white |

|               | 投影面積/Projected area     |
|---------------|-------------------------|
| 側面圖/Side-view | 0.011 (m <sup>2</sup> ) |

Mass : Approx. 1.1 kg {2.43 lbs} (Excluding attachment for the conduit portion)