

# TX-1902 TOUCH SCREEN MONITOR

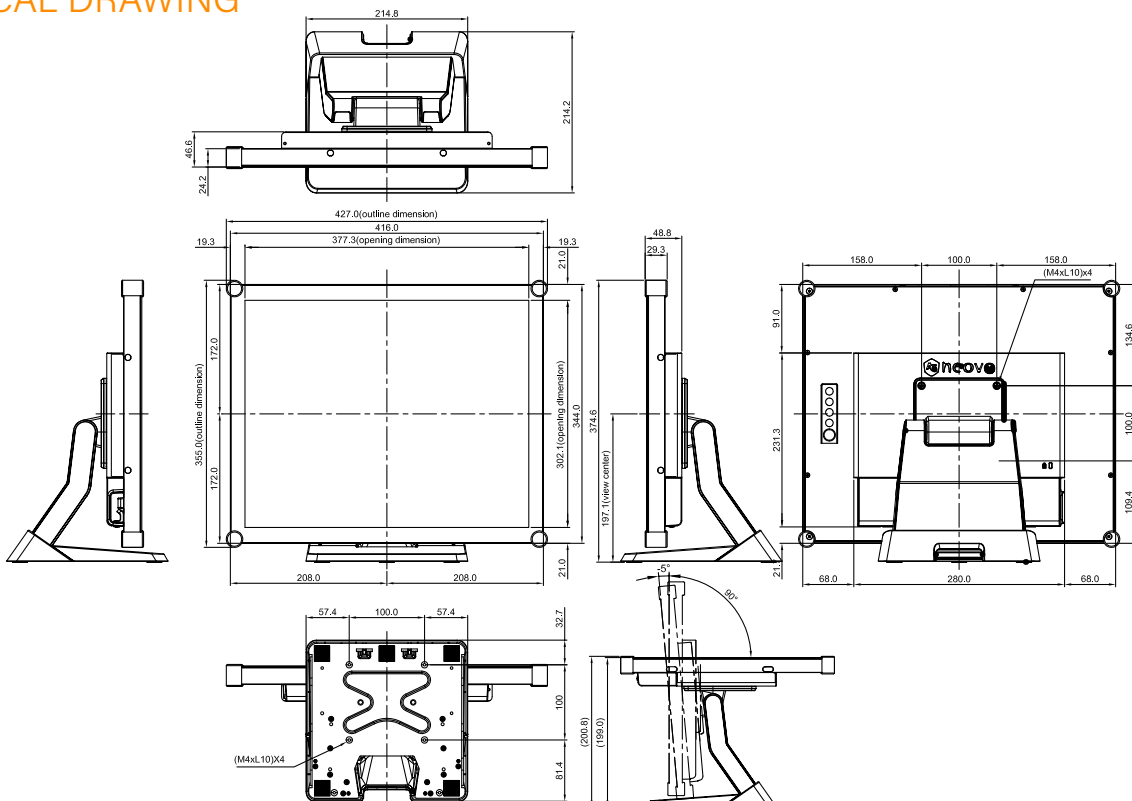


## FEATURES

- LED-backlit technology with 1280x1024 resolution
- Incorporates projected capacitive touch technology
- 10-point simultaneous multi-touch capability
- Windows 10 ready - plug and play support for Windows 7/8/10
- Multi-touch support via driver for Linux and Android OS
- Optional OSD external remote control via RJ11 interface
- Front-sided IP65 rating protects the screen from liquid and dust
- Durable metal housing
- Versatile connectivity: DisplayPort, HDMI, VGA
- Designed and developed for continuous 24/7 operation
- Ergonomic monitor stand offers tilt capacity from -5° to 90°

AG Neovo TX-1902 touch screen monitor provides a smooth and responsive touch experience with a 10-point PCAP touch screen, including responsiveness to latex gloves. With DisplayPort, HDMI and VGA input connectivity, the TX-1902 supports analogue and digital signals respectively, making it flexible for various applications such as factory automation, information displays, digital signage, and self-service kiosks. The touch screen monitor is complemented by a metal housing with an edge-to-edge tempered glass design which enhances durability for continuous operation in demanding and high-traffic areas.

## TECHNICAL DRAWING



## SPECIFICATIONS

### Panel

Panel Type	LED-Backlit TFT LCD (TN Technology)
Panel Size	19.0"
Max. Resolution	SXGA 1280 x 1024
Pixel Pitch	0.294 mm
Brightness	250 cd/m <sup>2</sup>
Contrast Ratio	1000:1
Viewing Angle (H/V)	170°/160°
Display Colour	16.7M
Response Time	3 ms
Surface Treatment	Anti-Glare Treatment (Haze 25%), 3H Hard Coating

### Frequency

Frequency (H)	31 kHz-80 kHz
Frequency (V)	50 Hz-75 Hz

### Signal Input

DisplayPort	x 1
HDMI	1.4 X 1
VGA	15-Pin D-Sub x 1

### External Control

RJ11	Yes
------	-----

### Touch Screen

Technology	Projective Capacitive
Positional Accuracy	± 2.0 mm
Panel Interface	USB (Type-B)
Multi-touch Plug & Play	10-point touch Windows® 7 · 8 · 10
Single Touch Support by Driver	Windows VISTA/XP/2000/CE/XP Embedded · Mac OS 10.10-10.14
Multi-touch Support by Driver	10-point touch for Linux · Android 2.3-4.x

### Power

Power Requirements	DC 12V, 2.5A
On Mode	12W (On)
Standby Mode	< 0.8W
Off Mode	< 0.3W
Power Supply	External

### Glass

Thickness	3.1 mm (0.12")
Transmission Rate	> 85%
Hardness	> 7H

### Operating Conditions

Temperature	0°C-40°C (32°F-104°F)
Humidity	20%-80% (non-condensing)

### Storage Conditions

Temperature	-20°C-60°C (-4°F-140°F)
Humidity	10%-90% (non-condensing)

### Mounting

VESA FPM/PMI	Yes (100 x 100 mm)
--------------	--------------------

### Stand

Tilt	-5° to 90°
------	------------

### Security

Kensington Security Slot	Yes
--------------------------	-----

### Dimensions

Product with Base (W x H x D)	427.0 x 374.6 x 214.2 mm (16.8" x 14.7" x 8.4")
Product w/o Base (W x H x D)	427.0 x 355.0 x 48.8 mm (16.8" x 14.0" x 1.9")
Packaging (W x H x D)	500.0 x 460.0 x 300.0 mm (19.7" x 18.1" x 11.8")

### Weight

Product w/o Base	4.5 kg (9.9 lb)
Product with Base	6.5 kg (14.3 lb)
Packaging	8.3 kg (18.7 lb)

### Regulation Approval

Certifications & Compliance	CE, LVD, WEEE, RoHS, REACH, EAC
-----------------------------	---------------------------------

### Accessories

Supplied	Power Adaptor, Power Cord, VGA Cable, HDMI Cable, USB Cable, Quick Start Guide, Warranty Card
----------	---

### Optional Accessories

Wall Mount (Landscape only)	WMK-01, WMK-03, PMK-01
-----------------------------	------------------------

