



# SBV-161WCW

Back Box

FC |  | CE | ENEC

## Key Features

- Material: Polycarbonate(PC)
- Dimensions: 155.3(W) x 95.8(H) x 62.2(D)mm(6.11"x3.77"x2.45")
- Weight: 49g (0.11lb)
- Color: White

# SBV-161WCW

Back Box



## Specifications

### Mechanical

<b>Color</b>	White
<b>Material</b>	Polycarbonate(PC)
<b>RAL code</b>	RAL9003
<b>Product dimensions / weight</b>	155.3(W) x 95.8(H) x 62.2(D)mm(6.11"x3.77"x2.45") / 49g (0.11lb)
<b>Supported products</b>	XNV-C6083R/C7083R/C8083R/C9083R ※ For further compatible models, please visit our website or use Toolbox

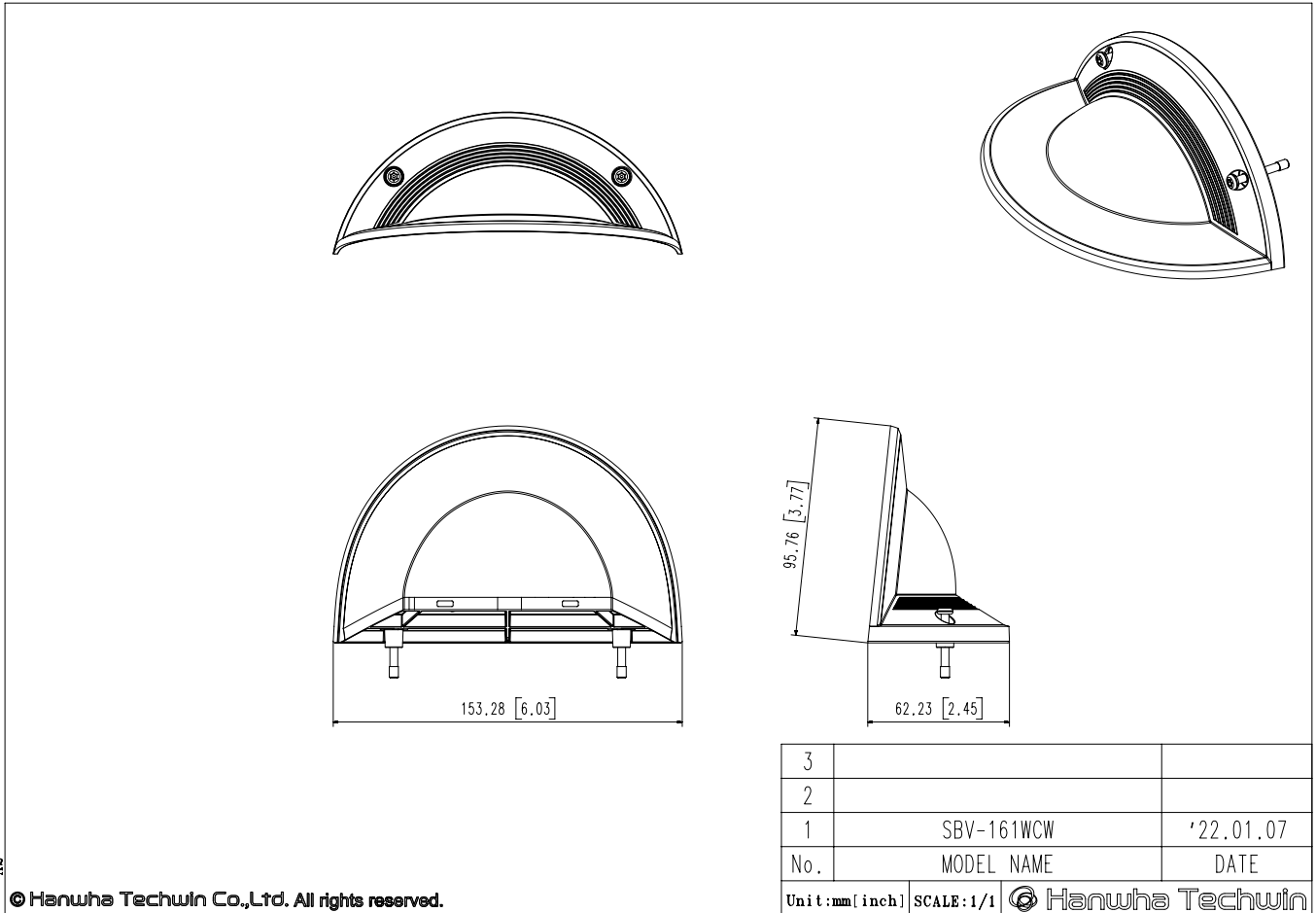
# SBV-161WCW

Back Box



CAD

Unit: mm [inch]



A2

© Hanwha Techwin Co., Ltd. All rights reserved.