

DS-KAB6-QR**· Specification**

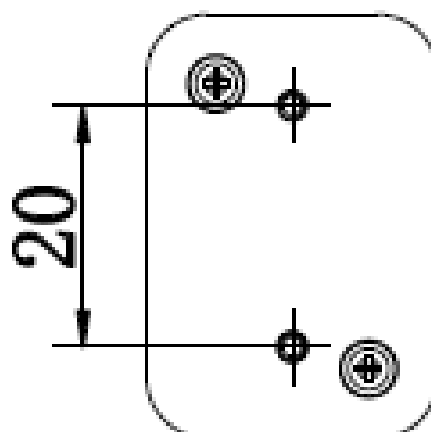
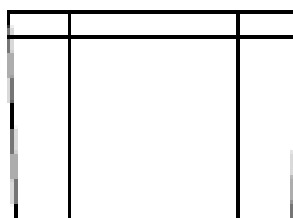
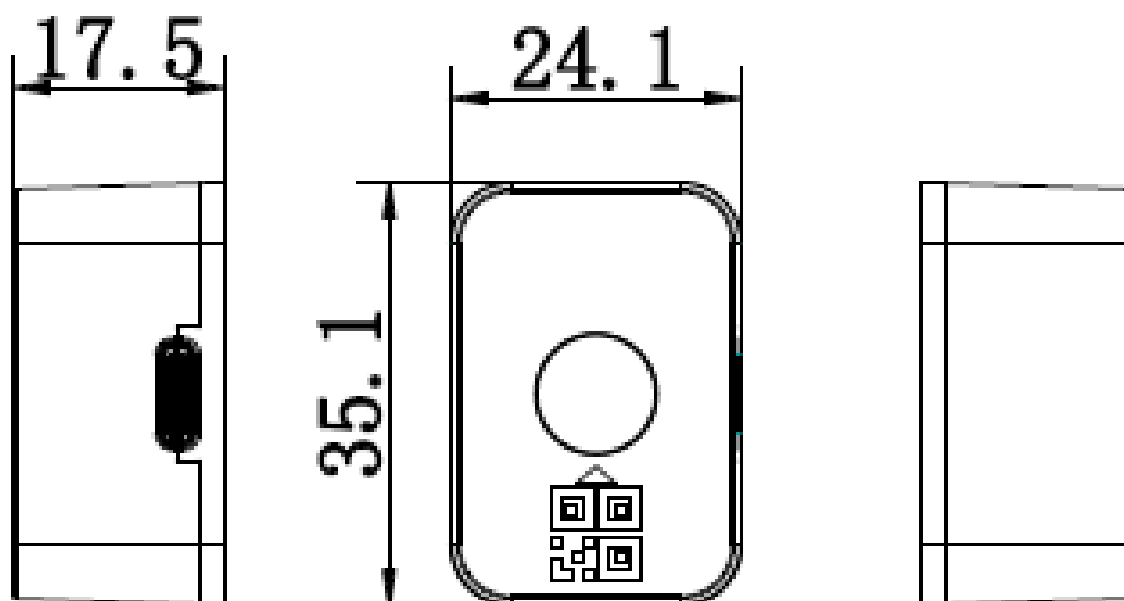
Image parameters	
Resolution	640*480
Physical Interface	
USB	Type-C
Other parameters	
Power supply	DC5V
Power consumption	500mw
Operating temperature	-20~55°C
Size	35.1*24.1*17.5mm
Installation method	Sheet metal screw fixing or 3M adhesive sticking
Usage Environment	Indoor
Material	Plastic
Power supply method	USB



Order Model

DS-KAB6-QR

Dimensions



. Suggested Accessories



DS-K1T672



DS-K5604A-
3XF/ZV



DS-K1T671M-
3XF



DS-K1T671TM-
3XF/TB



DS-K1T641



DS-K1T680
人脸识别终端



DS-K1T671



DS-K5604A



DS-K1T640A



DS-K1T640系列



DS-K1T671TM-
3XF



DS-K1T671A



DS-K5671-
3XF/ZU



DS-K5604A-3XF/VI



DS-K5671-W