

DS-2CD6425G0-XX(B) 2 MP Covert Network Camera



- High quality imaging with 2 MP resolution
- Efficient H.265+ compression technology to save bandwidth and storage
- Clear imaging against strong back light due to 120 dB true WDR technology
- Audio and alarm interface available
- 3D DNR technology delivers clean and sharp images



▪ Specification

Camera	
Image Sensor	1/2.8" Progressive CMOS
Min. Illumination	Color: 0.005 Lux @(F1.2,AGC ON), 0.014 Lux @(F2.0,AGC ON)
Shutter Speed	1/3 s to 1/100,000 s
Slow Shutter	Yes
P/N	P/N
Wide Dynamic Range	120 dB
Day & Night	Electronic
Lens	
Lens Type & FOV	L10: 3.7 mm: H 71.4°, V 39.4°, D 82.6°
	L20: 2.8 mm: H 88.6°, V 49.0°, D 100.4° 3.7 mm: H 71.4°, V 39.4°, D 82.6°
	L30: 2.8 mm: H 101.5°, V 54.8°, D 118.9° 4 mm: H 79.6°, V 42.9°, D 94.6° 6 mm: H 50.1°, V 28.8°, D 57.1°
Aperture	L10: 3.7 mm: F2.5
	L20: 2.8 mm: F2.5 3.7 mm: F2.5
	L30: 2.8 mm: F2.0 4 mm: F2.0 6 mm: F2.0
Lens Mount	M12, Pin hole
Video	
Max. Resolution	1920 × 1080
Main Stream	50Hz: 25fps (1920 × 1080, 1280 × 960, 1280 × 720) 60Hz: 30fps (1920 × 1080, 1280 × 960, 1280 × 720)
Sub Stream	50Hz: 25fps (640 × 480, 640 × 360, 320 × 240) 60Hz: 30fps (640 × 480, 640 × 360, 320 × 240)
Third Stream	50Hz: 1fps (1920 × 1080, 1280 × 720, 704 × 576, 640 × 480, 640 × 360, 352 × 288, 320 × 240) 60Hz: 1fps (1920 × 1080, 1280 × 720, 704 × 480, 640 × 480, 640 × 360, 352 × 240, 320 × 240)
Video Compression	Main stream: H.265/H.264 Sub-stream: H.265/H.264/MJPEG Third stream: H.265/H.264
Video Bit Rate	32 Kbps to 8 Mbps
H.264 Type	Baseline Profile/Main Profile/High Profile
H.265 Type	Main Profile
H.264+	Main Stream supports
H.265+	Main Stream supports
Bit Rate Control	CBR/VBR
Scalable Video Coding (SVC)	Yes
Region of Interest (ROI)	1 fixed region for main stream

Audio	
Environment Noise Filtering	Yes
Audio Sampling Rate	8 kHz/16 kHz/32 kHz/44.1 kHz/48 kHz
Audio Compression	G.711ulaw/G.711alaw/G.722.1/G.726/MP2L2/PCM
Audio Bit Rate	64Kbps(G.711ulaw/G.711alaw)/16Kbps(G.722.1)/16Kbps(G.726)/32-192Kbps(MP2L2)
Network	
Simultaneous Live View	Up to 6 channels
API	ONVIF(PROFILE S, PROFILE G, PROFILE T), ISAPI, SDK
Protocols	TCP/IP, ICMP, HTTP, HTTPS, FTP, DHCP, DNS, DDNS, RTP, RTSP, NTP, UPnP, SMTP, IGMP, 802.1X, QoS, IPv6, UDP, Bonjour, SSL/TLS,PPPoE,SNMP
Smooth Streaming	Yes
User/Host	Up to 32 users. 3 user levels: administrator, operator and user
Security	Password protection, complicated password, HTTPS encryption, IP address filter, basic and digest authentication for HTTP/HTTPS, TLS 1.2, WSSE and digest authentication for ONVIF
Network Storage	microSD/SDHC/SDXC card (256 GB) local storage, and NAS(NFS, SMB/CIFS), auto network replenishment (ANR) Together with high-end Hikvision memory card, memory card encryption and health detection are supported.
Client	iVMS-4200, Hik-Connect, Hik-Central
Web Browser	Plug-in required live view: IE8+, Chrome 41.0-44, Firefox 30.0-51, Safari 8.0-11
Image	
Day/Night Switch	Day, Night, Auto, Schedule
Image Enhancement	BLC, 3D DNR
Image Settings	Rotate mode, saturation, brightness, contrast, sharpness, gain, white balance adjustable by client software or web browser
Interface	
Alarm	1 input, 1 output (max. 12 VDC, 30 mA)
Audio	1 input (line in), connector, max. input amplitude: 3.3 vpp; 1 output (line out) connector, max.output amplitude: 3.3 vpp
RS-485	1 RS-485 interface, half duplex
On-board Storage	Built-in micro SD/SDHC/SDXC slot, up to 256 GB
Hardware Reset	Yes
Communication Interface	1 RJ45 10M/100M self-adaptive Ethernet port
Smart Feature-Set	
Smart Event	Intrusion detection, line crossing detection, region entrance detection, region exiting detection
Intelligent (Traditional Algorithm)	
Basic Event	Motion detection, video tampering alarm, exception (network disconnected, IP address conflict, illegal login, HDD full, HDD error)
General	
Linkage Method	Upload to NAS/memory card, notify surveillance center, trigger record, trigger capture
Web Client Language	32 languages: English, Russian, Estonian, Bulgarian, Hungarian, Greek, German, Italian, Czech, Slovak, French, Polish, Dutch, Portuguese, Spanish, Romanian, Danish, Swedish, Norwegian, Finnish, Croatian, Slovenian, Serbian, Turkish, Korean, Traditional Chinese, Thai, Vietnamese, Japanese,Latvijas ,lietuviešu ,Português
Software Reset	Yes
Firmware Version	V5.5.98
General Function	Anti-flicker, heartbeat, mirror, privacy masks, password reset via e-mail

Startup and Operating Conditions	-10 °C to 40 °C (14 °F to 104 °F)
Power Supply	12 VDC ± 20% PoE: 802.3af, Type 1 Class 2
Power Consumption and Current	12 VDC, 0.3 A, max. 3.6 W POE(802.3af, 36 V to 57 V), 0.2 A to 0.1 A, max. 4 W
Power Interface	2-core terminal block
Camera Dimension	Main Body: 77.5 × 69 × 26 mm (3.1" × 2.7" × 1.0") Main Body with Bracket: 82.3 × 72.6 × 33.5 mm (3.3" × 2.9" × 1.3") L10: Ø26 × 32.7 mm (Ø1.0" × 1.3") L20: 37 × 26 × 15.1 mm (1.6" × 1.0" × 0.6") L30: Ø26 × 51.4 mm (Ø1.0" × 2.0")
Camera Weight	92 g (0.2 lb.)
With Package Weight	592 g (1.3 lb.)
Approval	
EMC	FCC ID (47 CFR Part 15, Subpart B); CE-EMC (EN 55032: 2015, EN 61000-3-2: 2014, EN 61000-3-3: 2013, EN 50130-4: 2011 +A1: 2014); RCM (AS/NZS CISPR 32: 2015); IC (ICES-003: Issue 6, 2016); KC (KN 32: 2015, KN 35: 2015)
Safety	UL (UL 60950-1); CB (IEC 60950-1:2005 + Am 1:2009 + Am 2:2013); CE-LVD (EN 60950-1:2005 + Am 1:2009 + Am 2:2013); BIS (IS 13252(Part 1):2010+A1:2013+A2:2015); LOA (IEC/EN 60950-1)
Environment	CE-RoHS (2011/65/EU); WEEE (2012/19/EU); Reach (Regulation (EC) No 1907/2006) Reach Regulation (EC) No 1907/2006

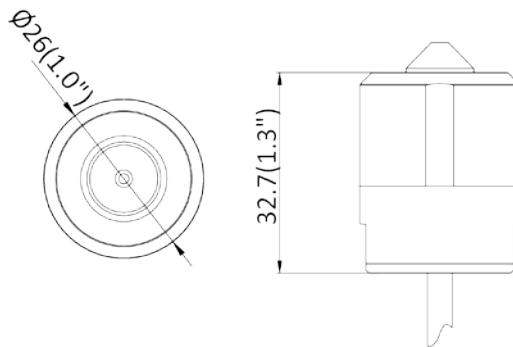
▪ Available Model

DS-2CD6425G0-C1(B)
 DS-2CD6425G0-L10(3.7mm)2m(B)
 DS-2CD6425G0-L10(3.7mm)8m(B)
 DS-2CD6425G0-L20(2.8mm)2m(B)
 DS-2CD6425G0-L20(2.8mm)8m(B)
 DS-2CD6425G0-L20(3.7mm)2m(B)
 DS-2CD6425G0-L20(3.7mm)8m(B)
 DS-2CD6425G0-L30(2.8mm)2m(B)
 DS-2CD6425G0-L30(2.8mm)8m(B)
 DS-2CD6425G0-L30(4mm)2m(B)
 DS-2CD6425G0-L30(4mm)8m(B)
 DS-2CD6425G0-L30(6mm)2m(B)
 DS-2CD6425G0-L30(6mm)8m(B)
 DS-2CD6425G0-10(3.7mm)2m(B)
 DS-2CD6425G0-10(3.7mm)8m(B)
 DS-2CD6425G0-20(2.8mm)2m(B)
 DS-2CD6425G0-20(2.8mm)8m(B)
 DS-2CD6425G0-20(3.7mm)2m(B)
 DS-2CD6425G0-20(3.7mm)8m(B)

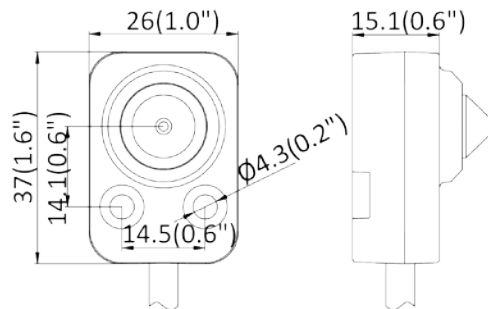
- DS-2CD6425G0-30(2.8mm)2m(B)
- DS-2CD6425G0-30(2.8mm)8m(B)
- DS-2CD6425G0-30(4mm)2m(B)
- DS-2CD6425G0-30(4mm)8m(B)
- DS-2CD6425G0-30(6mm)2m(B)
- DS-2CD6425G0-30(6mm)8m(B)

▪ **Dimension**

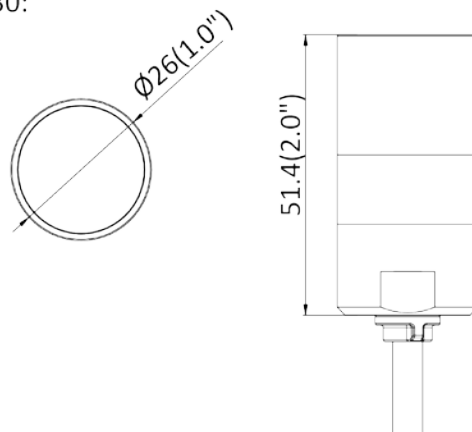
L10:



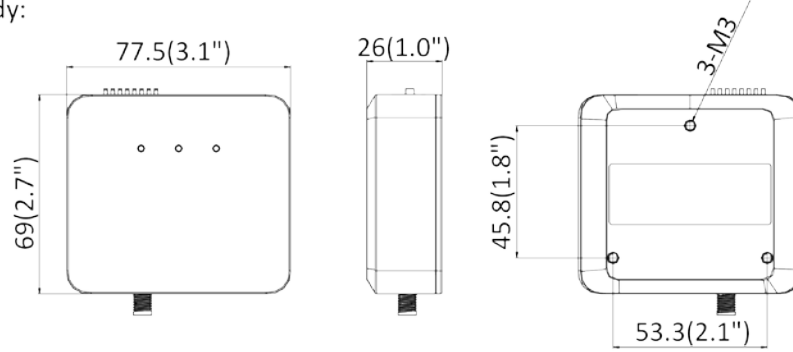
L20:



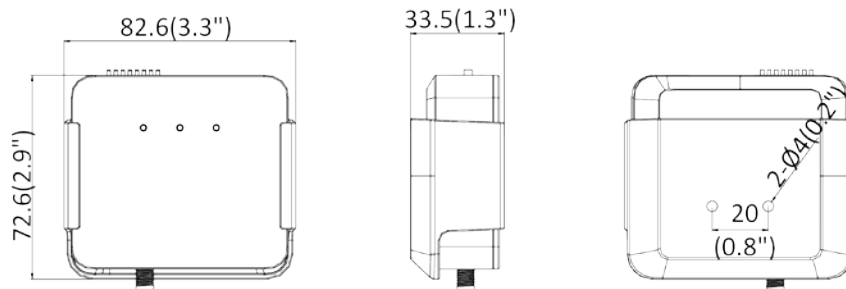
L30:



Main Body:



Main Body with Bracket:



Unit: mm (inch)

Distributed by



HIKVISION®

Headquarters

No.555 Qianmo Road, Binjiang District,
Hangzhou 310051, China
T +86-571-8807-5998
overseasbusiness@hikvision.com

Hikvision USA
T +1-909-895-0400
sales.usa@hikvision.com

Hikvision Australia
T +61-2-8599-4233
salesau@hikvision.com

Hikvision India
T +91-22-28469900
sales@pramahikvision.com

Hikvision Canada
T +1-866-200-6690
sales.canada@hikvision.com

Hikvision Thailand
T +662-275-9949
sales.thailand@hikvision.com

Hikvision Europe
T +31-23-5542770
sales.eu@hikvision.com

Hikvision Italy
T +39-0438-6902
info.it@hikvision.com

Hikvision Brazil
T +55 11 3318-0050
Latam.support@hikvision.com

Hikvision Turkey
T +90 (216)521 7070- 7074
sales.tr@hikvision.com

Hikvision Malaysia
T +601-7652-2413
sales.my@hikvision.com

Hikvision UK & Ireland
T +01628-902140
sales.uk@hikvision.com

Hikvision South Africa
Tel: +27 (10) 0351172
sale.africa@hikvision.com

Hikvision France
T +33(0)1-85-330-450
info.fr@hikvision.com

Hikvision Kazakhstan
T +7-727-9730667
nikia.panfilov@hikvision.ru

Hikvision Vietnam
T +84-974270888
sales.vt@hikvision.com

Hikvision UAE
T +971-4-4432090
salesme@hikvision.com

Hikvision Singapore
T +65-6684-4718
sg@hikvision.com

Hikvision Spain
T +34-91-737-16-55
info.es@hikvision.com

Hikvision Tashkent
T +99-87-1238-9438
uzb@hikvision.ru

Hikvision Hong Kong
T +852-2151-1761
info.hk@hikvision.com

Hikvision Russia
T +7-495-669-67-99
saleru@hikvision.com

Hikvision Korea
T +82-(0)31-731-8817
sales.korea@hikvision.com

Hikvision Poland
T +48-22-460-01-50
info.pl@hikvision.com

Hikvision Indonesia
T +62-21-2933759
Sales.Indonesia@hikvision.com

Hikvision Colombia
sales.colombia@hikvision.com