



SLA-2M3602D

2M Lens Module for PNM-7002VD



Key Features

- 0.055Lux@F2.0 Color, B/W
- 3.6mm fixed lens (2MP)

SLA-2M3602D

2M Lens Module for PNM-7002VD

Specifications

Video

| | |
|-------------------|--------------------------------|
| Imaging Device | 1/2.8" CMOS |
| Min. Illumination | Color: 0.055Lux(F2.0, 1/30sec) |

Lens

| | |
|---------------------------|-------------------------------|
| Focal Length (Zoom Ratio) | 3.6mm fixed focal |
| Max. Aperture Ratio | F2.0 |
| Angular Field of View | H: 94.8°, V: 49.3°, D: 114.3° |
| Focus Control | Fixed |

Pan / Tilt / Rotate

| | |
|---------------------------|----------------------------------|
| Pan / Tilt / Rotate Range | -176°~+176° / 0°~64° / -90°~+90° |
|---------------------------|----------------------------------|

Mechanical

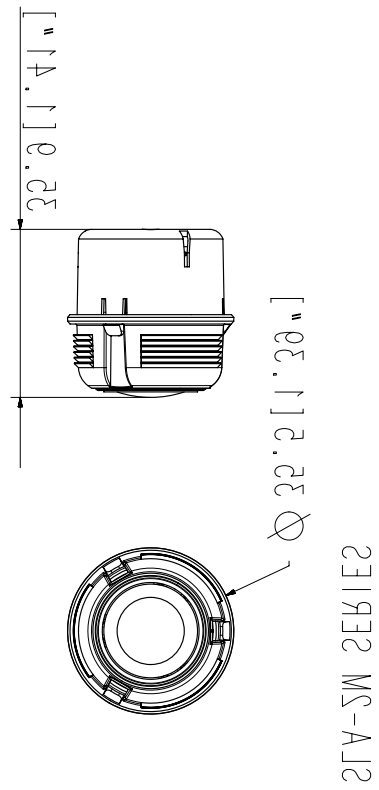
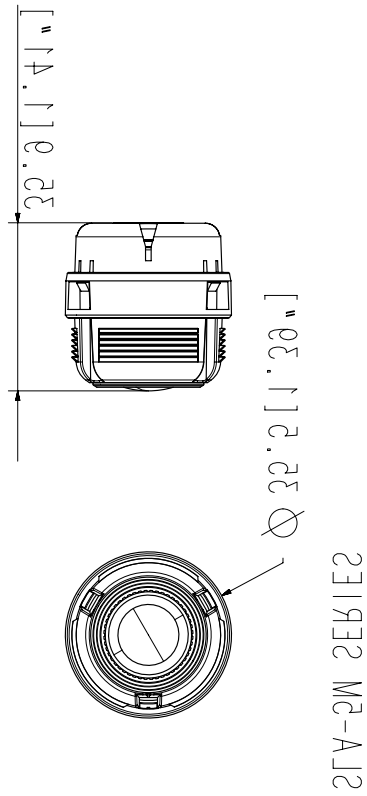
| | |
|-----------------------------|-------------------|
| Color / Material | Black / Plastic |
| Product dimensions / weight | Ø35.5x35.9mm, 30g |

SLA-2M3602D

2M Lens Module for PNM-7002VD

CAD

Unit: mm [inch]



(14.1) mm : 10.7