

# TRM-410S/810S

4CH/8CH Mobile Network Video Recorder

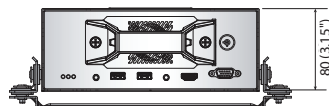
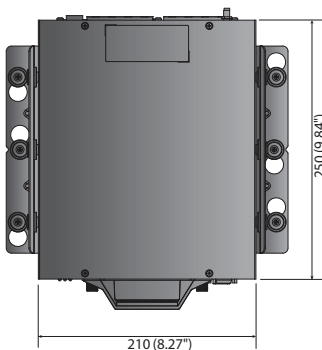


## Key Features

- . Up to 4CH/8CH 8megapixel supported
- . Max. 50Mbps/80Mbps recording
- . 2 SATA (Front-swap)
  - Max. 2TB (HDD, Non-RAID mode)
  - Max. 4TB (SSD, Non-RAID mode)
- . RAID 1 support (TRM-810S)
- . Wisenet (SUNAPI) / ONVIF camera recording
- . H.265, H.265, MJPEG codec supported
- . WiseStream support

## Dimensions

Unit : mm (inch)



## Accessories



Control box



Wi-Fi / GPS antenna

		TRM-410S	TRM-810S
<b>DISPLAY</b>			
Network Camera	Inputs	Max. 4ch (4 PoE, RJ-45)	Max. 8ch (8 PoE, RJ-45)
	Resolution	CIF ~ 8MP	
	Protocols	Wisenet (SUNAPI), ONVIF	
Live	Local Display	HDMI / VGA	
	Multi-Channel Display	[Local Monitor] 1 / 2H / 2V / 3V / 4 / Auto sequence [Web] 1 / 4 / Auto sequence	[Local monitor] 1 / 2H / 2V / 3V / 4 / 6 / 8 / 9 / Auto sequence, [Web] 1 / 4 / 9 / Auto sequence
	Performance	[Local Monitor] 8MP (60fps), 5MP (90fps), 3MP (120fps), 2MP (120fps), 720p (120fps), D1 (120fps)	[Local Monitor] 8MP(60fps), 5MP(90fps), 3MP(120fps), 2MP(240fps), 720p(240fps), D1(240fps)
<b>PERFORMANCE</b>			
Operating System	Embedded	Linux	
Record	Compression	H.265, H.264, MJPEG, WiseStream (H.265, H.264)	
	Recording Bandwidth	Max. 50Mbps	Max. 80Mbps
	Resolution	CIF ~ 8MP	
	Type	Manual, Schedule (Continuous / Event), Event (Pre / Post), Emergency	
	Retention	Retention per channel (1~400 days)	
	Event Trigger	Alarm Input (6), Video Loss, Camera Event (Sensor, MD, Video Analytics, Defocus) G-Sensor (3 Axis)	
	Event Action	e-Mail, Alarm Out, Buzzer, Monitor Out	
Search & Play	Playback Bandwidth	32Mbps (4ch simultaneously)	32Mbps (8ch simultaneously)
	User	Max. 4 Users (Local 1, Remote 3)	
	Mode	Date & Time(Calendar) / Event Log list / Smart Search	
	Simultaneous Playback	Max. 4ch (Local Monitor, CMS)	Max. 8ch (Local Monitor, CMS)
	Resolution	CIF ~ 8MP	
	Fisheye Dewarping	Web / CMS	
	Playback Control	Fast / Slow Forward / Backward, Move one step Up / Down	
Storage	Built-In	0TB ~ 4TB	
	Internal HDD	2 SATA(Front-Swap) - Max. 2TB (HDD, Non-RAID Mode) - Max. 4TB (SSD, Non-RAID Mode)	
	RAID	N/A	RAID-1
Backup	File Backup	Exe (GUI), JPG/AVI (excluding GPS information)(Network)	
	Function	Multi channel (Up to 4ch) play, Date-time / Title / GPS display	Multi channel (Up to 8ch) play, Date-time / Title / GPS display
	Type	Auto (Wi-Fi), Manual (HDD/SSD)	
	Wifi Backup Performance	Max. 50Mbps	Max. 80Mbps
Sensor	I/O	6/4	
Audio	Input	4ch (Network)	8ch (Network)
	Compression	G.711, G.726, AAC (16/48KHz)	
	Audio Communication	2-Way	
<b>NETWORK</b>			
Interface	RJ-45 (Gigabit ethernet x1)		
Protocol	TCP/IP, UDP/IP, RTP (UDP), RTP (TCP), RTSP, NTP, HTTP, DHCP (Server, Client), PPPoE, SMTP, ICMP, IGMP, ARP, DNS, DDNS, uPnP, HTTPS, SNMP, ONVIF (Profile-S), SUNAPI (Server, Client)		
DDNS	Hanwha DDNS		
Transmission Bandwidth	Wired (LAN)	Max. 50Mbps	Max. 80Mbps
Max Remote Users	Search (3), Live Unicast (10), Multicast (20)		
IP Version	IPv4/v6		

		TRM-410S	TRM-810S
<b>Security</b>		IP address filtering, User access log, 802.1x, Encryption	
<b>Wireless</b>	WiFi	Internal (802.11 ac(5G)), 1T1R	
	3G / LTE	Support external 3G/LTE router (Ethernet)	
<b>Language</b>		English, French, German, Italian, Spanish, Russian, Turkish, Polish, Dutch, Swedish, Czech, Portuguese, Danish, Rumanian, Serbian, Croatian, Hungarian, Greek, Norwegian, Finnish, Korean, Chinese, Japanese, Thai	
<b>OS</b>		Windows 7, 8, 10, Mac OS X (10.8 or above)	
<b>Web Browser</b>		MS IE, Google Chrome, Mac Safari	
<b>Viewer Software</b>	Type	SSM Transportation, Webviewer	
	CMS Support	Support SDK/CGI( SUNAPI) for integration to 3'rd party VMS	
<b>FUNCTIONS</b>			
<b>Camera Setup</b>	Register	Auto, Manual	
	Setup Items	IP address, Profile add/edit, Bitrate, Compression, Camera MD setup Camera video setup (Simple focus, Brightness/Contrast, Flip/Mirror, Iris, WDR, D&N, SSNR, Shutter, SSSDR, DIS), Fisheye dewarping mode, Hallway view Setup, Camera webpage, Wisestream On/Off	
<b>Camera Control Max. Framerate</b>	PoE/PoE+ Power Control	Monitor PoE/PoE+ power consumption, On/Off control for each PoE/PoE+ camera, Remote reset for each PoE/PoE+ camera	
	Time Sync.	NVR time protocol for PoE/PoE+ camera (Time sync based on NVR time) GPS time sync	
<b>PTZ</b>	Control	Via GUI, Webviewer	
	Preset	300 Presets	
<b>System Control</b>		Mouse, Web	
<b>INDICATOR/INTERFACE</b>			
<b>Front</b>	Indicator	LED (Status indicator) : 3ea - Power 1, Alarm 1, Record 1	
	Power Switch	N/A	
	Audio	Out (1ea, Line)	
	HDMI / VGA	2ea (Support live monitor screen up to 9div. mode, Clone) HDMI : Up to 4K (3840 x 2160), VGA : Max. 1080p	
	USB	3ea (Front x2, Rear x1)	
	HDD Key Lock	1ea (Power switch)	
<b>Connections</b>	Ethernet	Viewer : 1ea (100Mbps, RJ-45) PoE Camera Input : 4ea (100Mbps, RJ-45)	Viewer : 1ea (1000Mbps, RJ-45) PoE Camera Input : 8ea (100Mbps, RJ-45)
	Control I/O	RJ-45 1ea (External Control Box) (1) Status LED (2) G-Sensor(3 Axis) (3) Emergency Recording button (4) Power Switch (5) Audio Out	
	Alarm	(1) In (6ea) (2) Out (4ea)	
	Serial	1 RS-232C (Reserved)	
	WiFi	1ea (RP-SMA, F)	
	GNSS	1ea (4pin Micro-Fit), Support GPS/Glonass	
	3G/LTE	N/A	
	Reset	Switch (1ea, PW clear)	
	Power Cord	6pin connector 1ea	
	<b>SYSTEM</b>		
<b>Power Management</b>	Shutdown Delay	Max. 72Hrs (User selectable)shutdown / Support CGI shutdown	
	Startup Delay	0 (Default) sec ~ 10 Min (User selectable)	
<b>Log</b>	Log List	Max. 20,000 (System log, Event log each)	
<b>ENVIRONMENTAL</b>			
<b>Operating Temperature / Humidity</b>		-25 to +55 °C(-13 to +131 °F) : HDD installed	
<b>Humidity</b>		20% ~ 85% RH	

**TRM-410S**
**TRM-810S**
**ELECTRICAL**

Power	9 ~ 36V DC Battery power detection & Low power limit setup	
Power Consumption	Max. 83W	Max. 122W
PoE Budget	Max. 32W	Max. 64W

**MECHANICAL**

Color / Material	Black / Steel	
Dimension (WxHxD)	210mm x 80mm x 250mm (8.27" x 3.15" x 9.84")	
Weight	Approx. 3.4Kg (7.5lb, without HDD)	

**STANDARD APPROVAL**

Certification	EN-50155, EN-50121-3, EN-61373	
---------------	--------------------------------	--

**Control Box**
**INDICATOR/INTERFACE**

Top	Indicator	LED (Status indicator) : 6ea - Power 1, Alarm 1, Record 1, GPS 1, RAID 1, HDD Error 1
	Emergency Button	1ea
Connections	Audio Out	1ea (RCA, Line)
	EXT. Switch	1ea (4pin Micro-Fit)
	Main I/O	1ea (DB9)

**MECHANICAL**

Color / Material	1ea (RCA, Line)
Dimension (WxHxD)	1ea (4pin Micro-Fit)
Weight	1ea (DB9)

\* The latest product information / specification can be found at [hanwha-security.com](http://hanwha-security.com)

\* Design and specifications are subject to change without notice.

\* Wisenet is the proprietary brand of **Hanwha Techwin**.