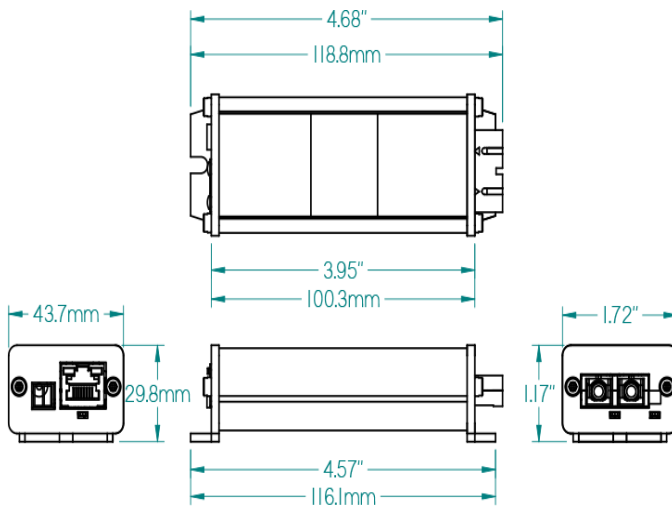


Media Converters

Features

- Industry's smallest miniature design
- 1 x 10/100/1000 (Gigabit Ethernet) RJ45 Network port
- 1 x 1000BASE-LX SC duplex multi-mode port
- Extends 10/100/1000 Ethernet up to 2km / 1.25mi over multi-mode fiber
- Compliant with IEEE802.3 standards
- Autosensing MDI/MDIX crossover on network port
- LED indicators for network signals, link status and power
- Made in the U.S.A.



Technical Specifications

Network Port:	RJ45 Connector
Optical Port:	Duplex SC 1310nm for use with multi-mode fiber
Ethernet:	10/100/1000Mb on copper port, full or half duplex
Ethernet on Optical Link:	1000Mb full duplex
Max operating distance electrical:	up to 100m / 330ft on Network Port (10/100/1000 copper)
Max operating distance optical:	up to 2km / 1.25mi using SC duplex multi-mode 62.5um fiber
LED Indicator:	Green Flashing for 1000BASE Electrical link and activity Orange/Green Flashing LED for 10/100BASE Electrical link and activity Green Flashing LED for optical link and activity Green LED for Power
Optical Wavelength:	1310nm
Optical Launch Power:	-3dBm (max) to -10dBm (min)
Minimum Receiver Sensitivity:	-20dBm @ 1x10E-10 BER
Receiver Overload Power:	0dBm
Minimum Optical Budget:	10dB
Rating/Listings:	IEC/UL 62368-1 (pending)
Rating/Listings NEMA TS-2:	(TBD)
Operating Temperature Commercial:	0C to 50C / 32F to +122F
Humidity:	Up to 95% non-condensing
System Latency:	<1mS
Power Requirement:	6-15V DC / 6-12V AC (12V DC recommended)
Power used:	2 watts
BTU Rating:	6.8BTU/hr
Shipping Weight:	0.45kg / 1lb
Shipping Size:	64mm x 133mm x 189mm / 2.5" x 5.25" x 7.45"
Shipping Weight:	TBD
Shipping Size (HxDxW):	64mm x 133mm x 189mm / 2.5" x 5.25" x 7.45"

Common Installation

