

VGA/2M/4M CameraLink High-Speed Global Shutter

NEW

VGA / 2M / 4M CMOS

STC-CMB33PCL 【VGA Mono】

STC-CMB200PCL 【2M Mono】

STC-CMB401PCL 【4M Mono】

STC-CMC33PCL 【VGA Color】

STC-CMC200PCL 【2M Color】

STC-CMC401PCL 【4M Color】

Sentech is proud to introduce the brand new Mini C-MOSIS Camera Link series. These cameras feature global shutter, which will allow them to safely record moving objects. The 2M & 4M models are available in Near IR versions. These models are the second generation C-MOSIS Camera Link cameras, and have a smaller size, lower power consumption, and are a lower cost.



Features

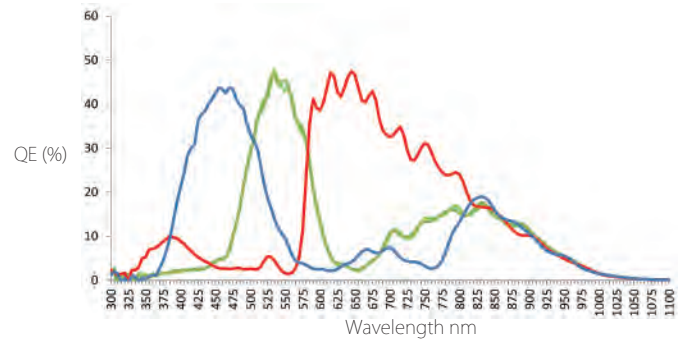
- VGA
642(H) x 484(V) 480fps
7.4 μm x 7.4 μm 1/3" Sensor
- 2M
2048(H) x 1088(V) 333fps
5.5 μm x 5.5 μm 2/3" Sensor
- 4M
2048(H) x 2048(V) 180fps
5.5 μm x 5.5 μm 1" Sensor
- Global Shutter
- PoCL / External Power Supply
- 40 x 40 x 40.5 mm (excluding connector)

Specifications

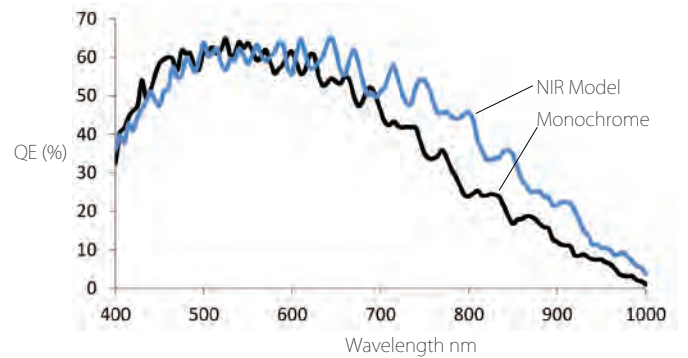
| | |
|--------------------------|---|
| Model Numbers | : STC-CMC33PCL (VGA Color) STC-CMB33PCL (VGA Monochrome) STC-CMC200PCL (2M Color) STC-CMB200PCL (2M Monochrome) STC-CMB200PCL-NIR (2M NIR) STC-CMC401PCL (4M Color) STC-CMB401PCL (4M Monochrome) STC-CMB401PCL-NIR (4M NIR) |
| Image Sensors | : 1/3" VGA CMOS (CMOSIS CMV300) 2/3" 2M CMOS (CMOSIS CMV2000) 1" 4M CMOS (CMOSIS CMV4000) |
| Shutter Type | : Global Shutter |
| Effective Pixels | : 642 (H) x 484 (V) (VGA) 2048 (H) x 1088 (V) (2M) 2048 (H) x 2048 (V) (4M) |
| Cell Size | : 7.4 (H) x 7.4 (V) μm (VGA) 5.5 (H) x 5.5 (V) μm (2M/4M) |
| Frame Rate | : 480fps (VGA) 333fps (2M) 180fps (4M) |
| Noise Levels | : 3digits or less(8-bit, Gain 0 dB) |
| Video Format | : 8/10 bit Raw Data, RGB 8 bit (Color) 8/10 bit Raw Data (Monochrome, IR) |
| Interface | : CameraLink Base/Medium/Full/10Tap |
| Exposure Time | : 25 μsec ~ 45sec |
| ALC | : AGC ON / OFF and Electronic Iris |
| Digital Gain | : 1 ~ 5 dB |
| Gamma | : 1.0 (fixed) |
| White Balance | : Auto / Manual / Push to Set (Color Models Only) |
| Operating Mode | : Edge Preset Trigger / Pulse Preset Trigger |
| Communication | : RS232 communication (via Camera Link connector) |
| Power | : less than 1.68W (VGA) |
| Consumption | : less than 3W (2M) less than 3.5W (4M) |
| Dimensions | : 40 (W) x 40 (H) x 40.5(D) mm (excluding connector) |
| Optical Filter | : N/A |
| Lens Mount | : C Mount |
| External Connector | : Miniature Connector (SDR) |
| Power & Signal Connector | : HR10A-7R-6PB (Hirose) or equivalent |
| Camera Mounting | : 1/4" tripod mounting screw holes (1 on bottom surface) |
| M4 Mounting | : 4 Mounting Screws on the top and bottom of the camera |
| Screws | |
| Weight | : 94g (VGA) 102g (2M/4M) |
| Compliance | : RoHS Compliant |

Spectral Sensivity

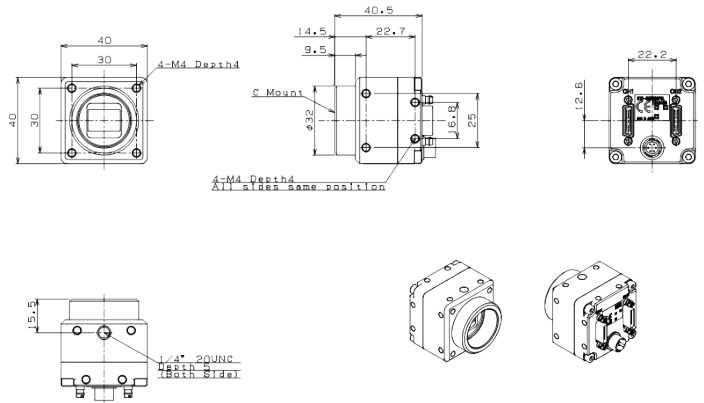
STC-CMC200(401)PCL



STC-CMB200(401)PCL / STC-CMB200(401)PCL-NIR



Dimensions



※Specifications are subject to change without notice.