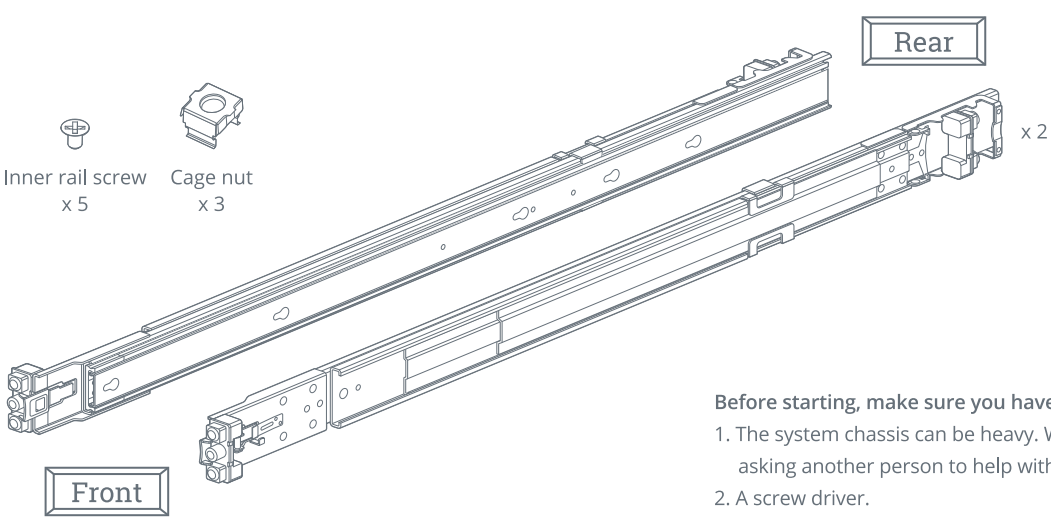
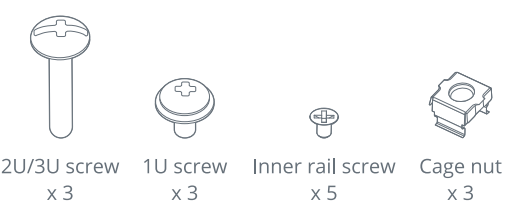


Rail Kit RKS1317

Quick Installation Guide

Package Content



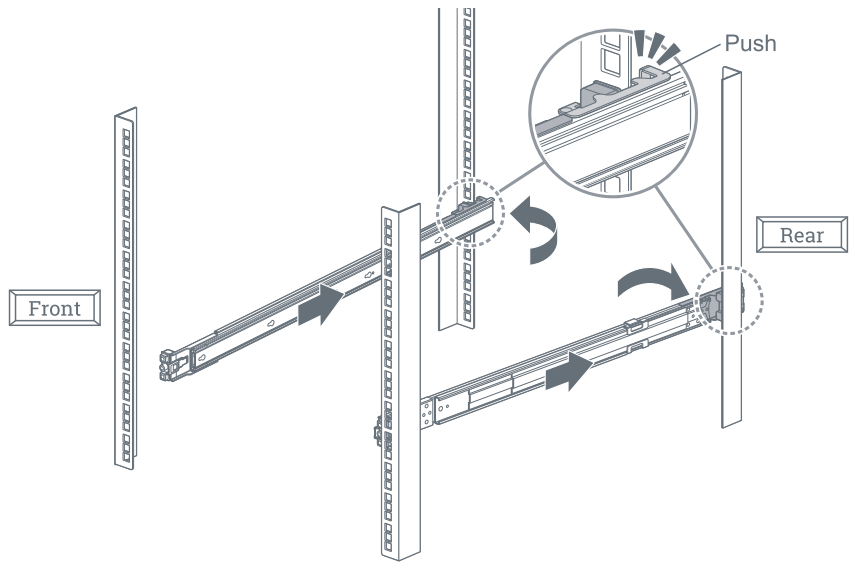
Before starting, make sure you have the following:

1. The system chassis can be heavy. We recommend asking another person to help with installation.
2. A screw driver.

Installation

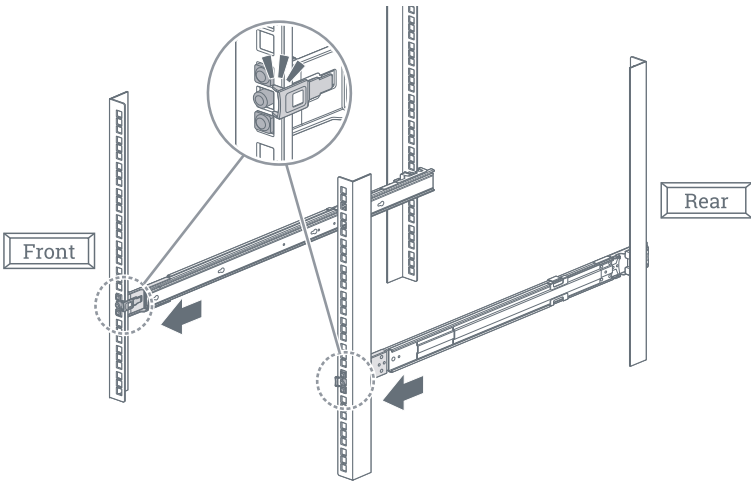
01

Attach the rear end of the rail kit assembly to the rack by pushing the latch and inserting the bracket into the rack holes.



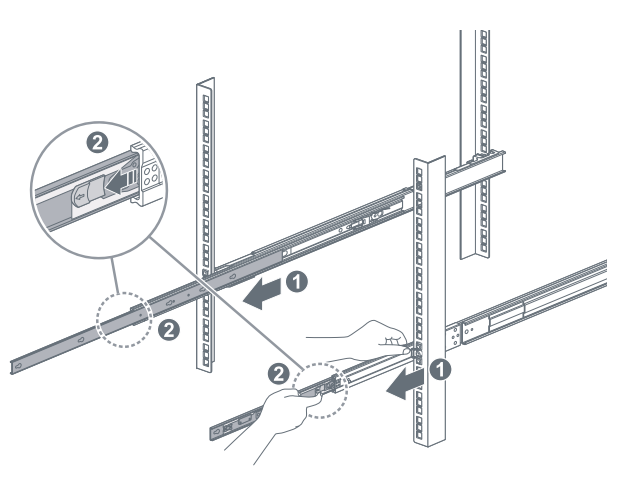
02

Adjust the length of the rail kit assembly, and insert the front end to the rack by slightly sliding the front latch outwards and inserting the brackets into the rack holes.



03

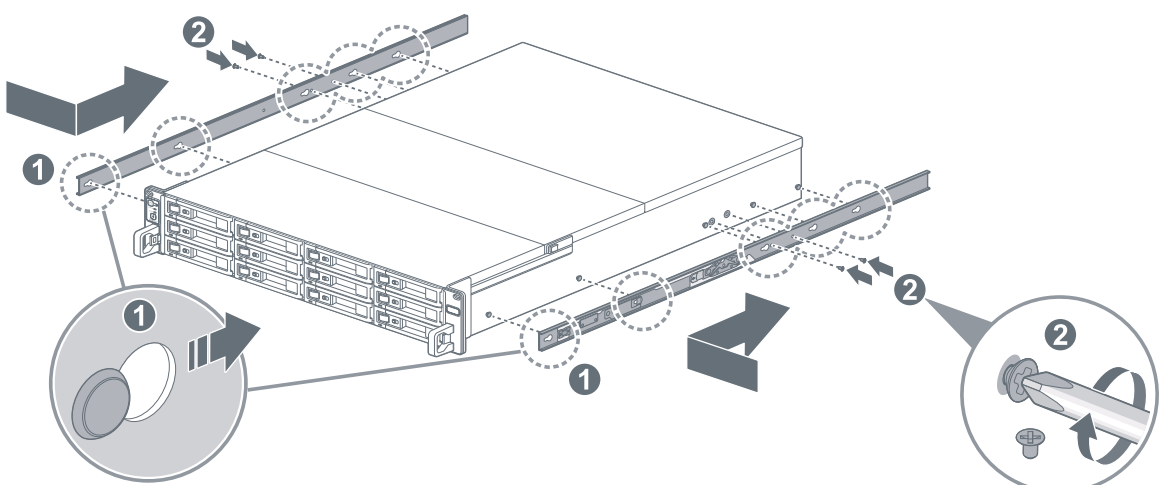
1. Fully extend the inner rail outwards until you hear a click sound.
2. Pull and hold the rear latch on the inner rail, as illustrated, and continue to pull out the inner rail from the assembly.



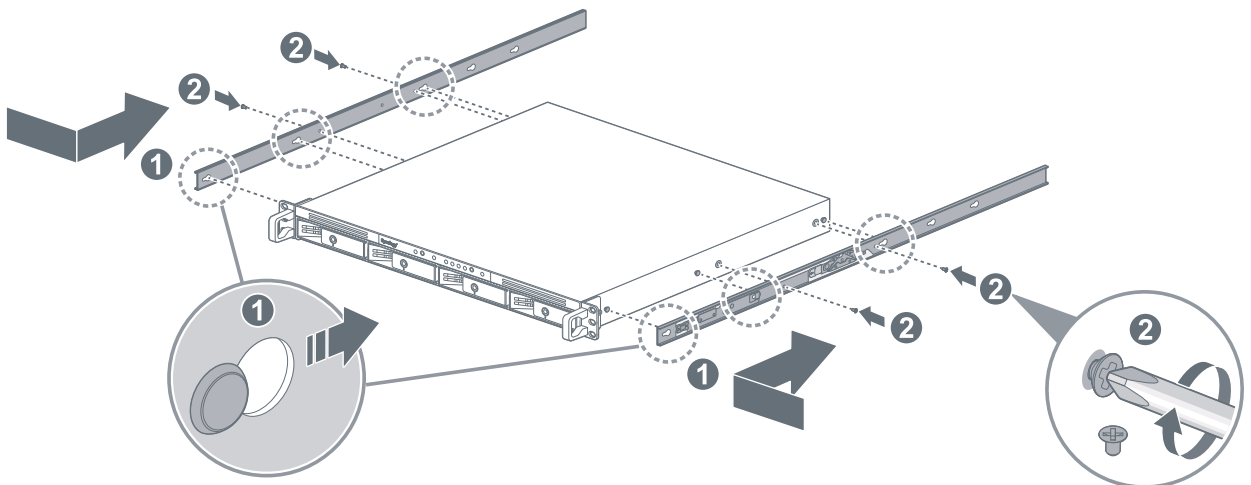
04

1. Align the fixing holes of the inner rail to the side of the chassis and slide backward to attach the inner rail.
2. Secure the rail screws as illustrated.

2U/3U

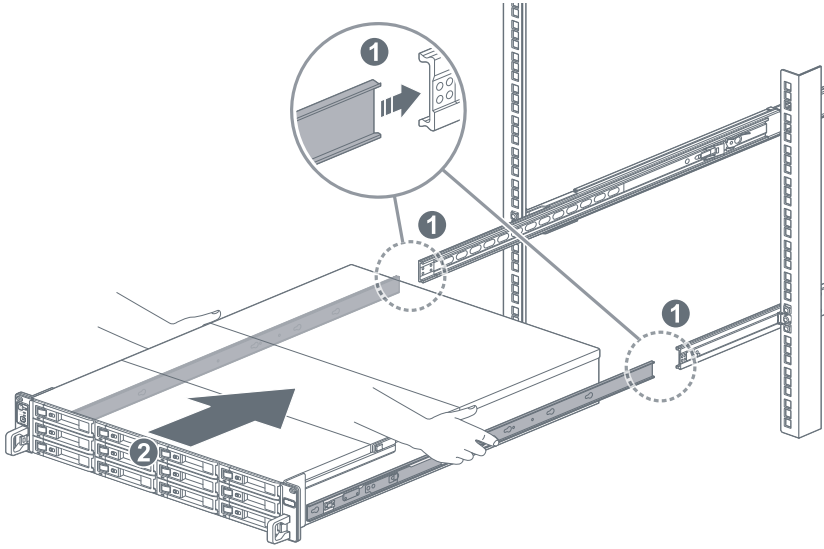


1U



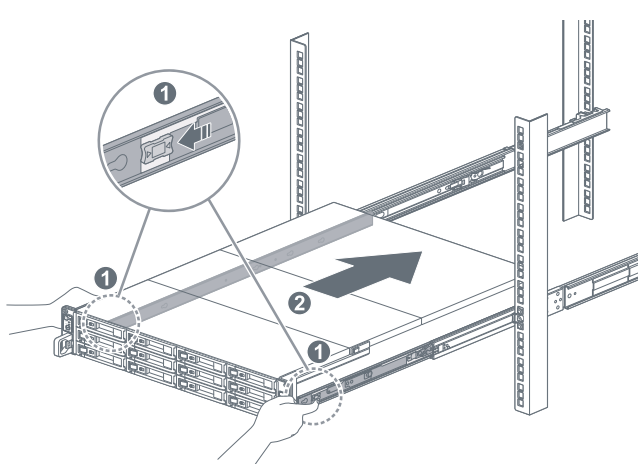
05

With the help of another person, carefully align the inner rails to the outer rail assembly, and push the chassis towards the rack.

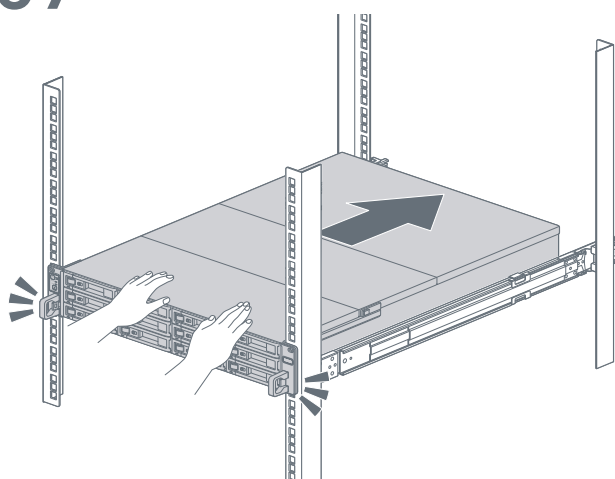


06

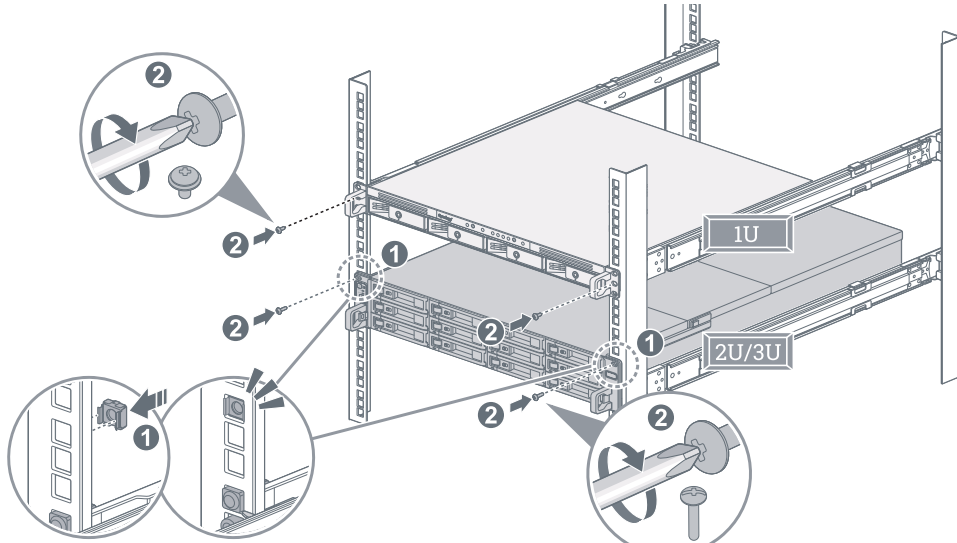
Pull the front latch of the inner rail as illustrated to unlock the inner rail, and continue pushing the chassis towards the rack.

**07**

For 17-Series* and future 2U/3U chassis, you will hear a clicking sound when the ear holder is fixed to the rail assembly.
* Not including RS3617xs

**08**

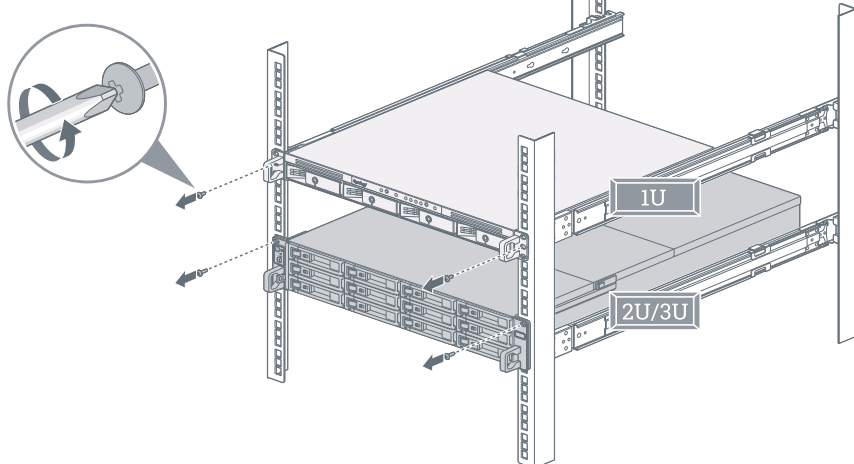
Use the cage nuts and screws in the rail kit package to secure the chassis to the rack if necessary.



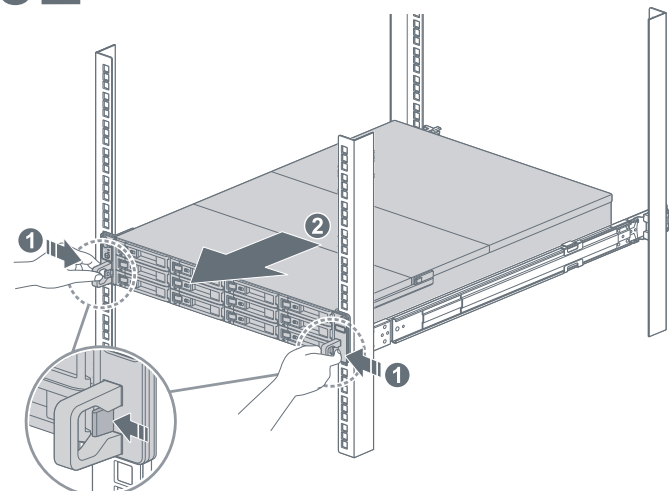
Removal

01

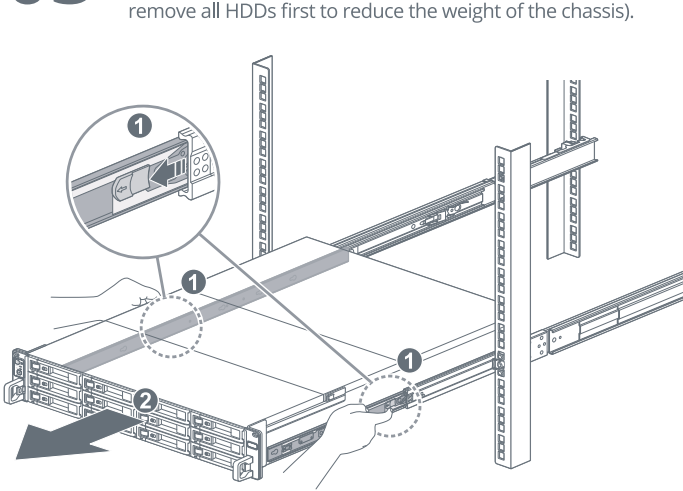
To remove the chassis from the rack, loosen and remove the screws from the rack.

**02**

For 17-Series* and future 2U/3U chassis, slide inwards and hold the rail kit release tabs on the ear holders, and pull out the chassis from the rack. * Not including RS3617xs

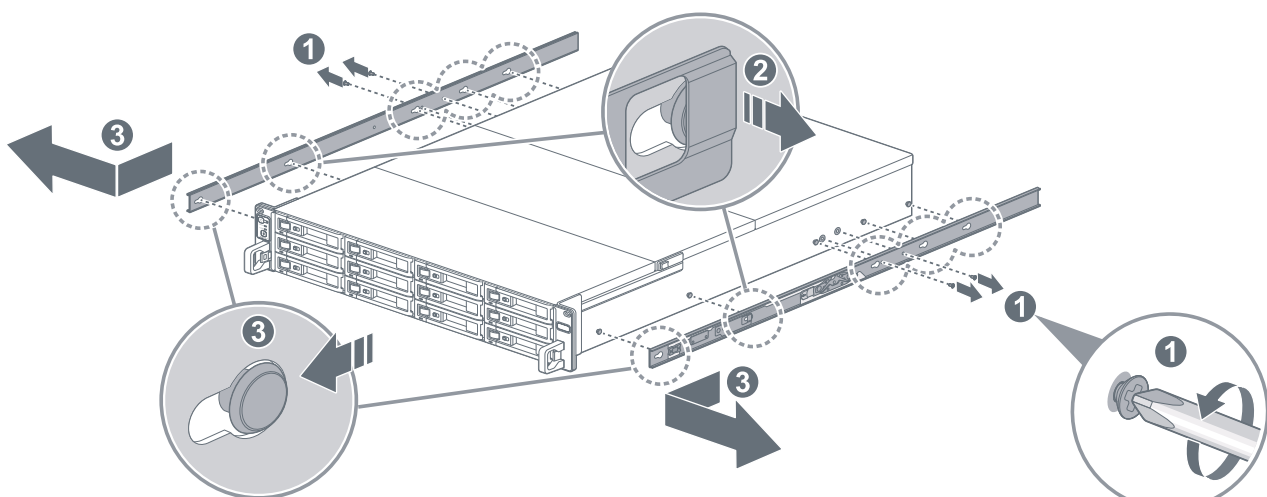
**03**

Slide outwards the rear latch of the inner rail to unlock the inner rail from the outer rail assembly. With the help of another person, carefully remove the chassis from the rack (You may remove all HDDs first to reduce the weight of the chassis).

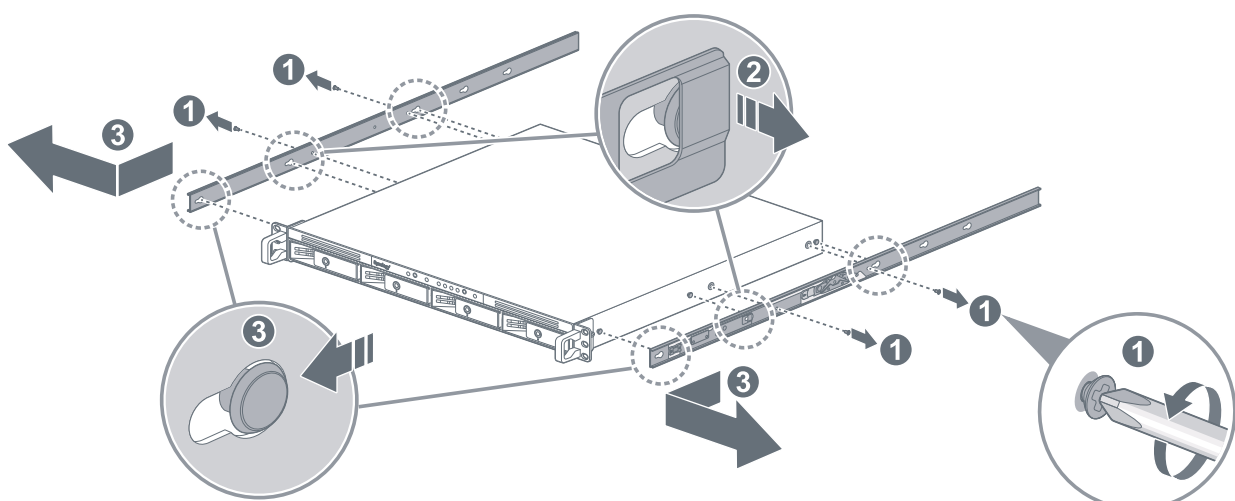
**04**

Loosen and remove the rail screws. Slightly pull out the middle latch as illustrated, and slide forwards to remove the inner rail from the chassis.

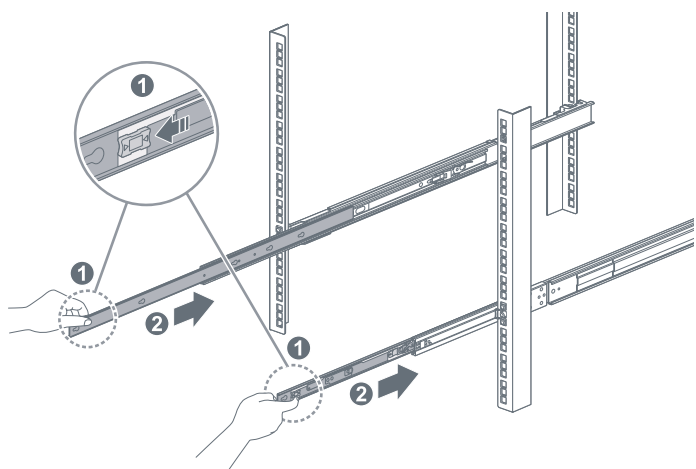
2U/3U



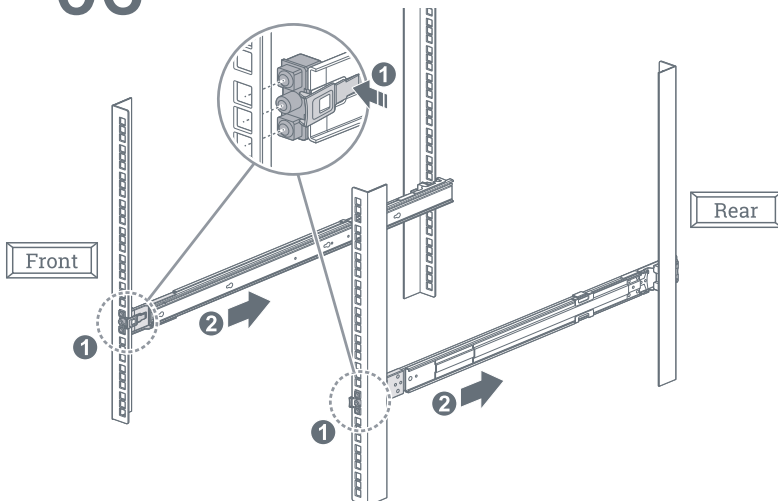
1U

**05**

Insert the inner rail to the rail kit assembly by pulling outwards and holding its front latch.

**06**

Push the front latch of the inner rail assembly, and slide backwards to remove the assembly from the rack.

**07**

Pull the rear latch of the inner rail assembly, and slide forwards to remove the assembly from the rack.

