

Description

The EL4500U is another component of the NITEK cutting edge EtherStretch line. This Environmentally Hardened Etherstretch solution allows for the utilization of new or existing Category cable infrastructure for the long distance transmission of Ethernet. The transmitter unit can supply PoE power to operate 4 IP cameras or other network devices. The unit transmits data from the 4 IP network devices over the Category cable for distances up to 600 meters or 2000 feet.

The EL4500U is a system containing a transmitter, transmitter power supply and a receiver unit that requires very little installation time and absolutely no set up or configuration. These units quickly turn ordinary network cable into a high speed long distance network communication and pathway. He transmitter is a 4 port unit and is used with the included power supply to operate up to 4 IP cameras or other devices. The receiver unit can be powered by your POE switch. The EL4500U is transparent to the network thus requiring no IP and MAC addressing. LED indicators show the status of network communication and PoE power.

The NITEK EtherStretch EL4500U extends network communications to overcome cable distance limitations offering connections to devices in locations traditional networking does not allow. The EL4500U is ideal for retrofitting existing installations and extending Ethernet beyond normal limitations. The units are constructed of industrial grade RoHS compliant plated aluminum which is finished with a corrosion resistant finish making it very durable.

Features

- Environmentally hardened
- Supports 10/100 over ordinary Category cable up to distances of 600 meters (2000 feet)
- Fully transparent to the network
- Supports 4 network devices, including mega-pixel technology IP cameras
- Easy to install, no set up required
- No MAC or IP addressing required
- LED indicators for network signals, link status and power
- 50 Watt power supply can insert PoE power for non-PoE switches
- Surge protected inputs
- Ground loop isolation
- Made in the U.S.A.

Patent Pending



USA

5410 Newport Drive, # 24
Rolling Meadows, IL 60008
Phone: (847) 259-8900
Fax: (847) 259-1300
E-mail: info@nitek.net
WWW.NITEK.NET

EUROPE

De Aar 99
8253 PN Dronten
The Netherlands
Tel: +31(0) 321 310 043
E-mail: info@nitekeurope.net
WWW.NITEK.NET

TECHNICAL SPECIFICATION

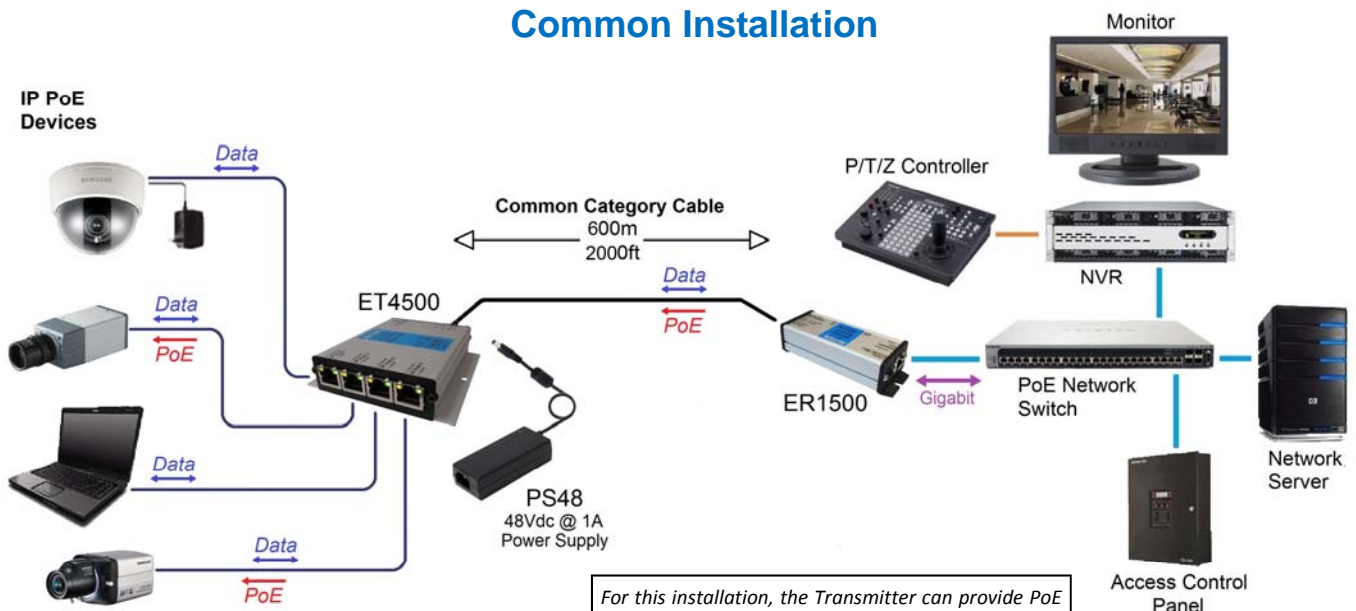
ET4500U Transmitter

Network Port	Four RJ45 Jacks
Link Port	RJ45 Jack
Ethernet	Auto Configuring 100BASE-TX Full Duplex
Power Connector	2.5mm (ID) x 5.5mm (OD) Barrel
LED Indicators	Link Status, Power, PoE out, 10Mb or 100Mb
PoE Compliance	IEEE 802.3af & IEEE 802.3at
PoE Output	45 Watts total output power (with a 1A/48Vdc included power supply)
Max Operating Distance	2000ft /600m
DC Voltage Input	48 to 56Vdc, 1 to 5A
Power Draw per Device	2.7 Watts
Operating Temperature	-40° to 75° C / -40° to 167° F
Humidity	Up to 95% non-condensing
Dimensions	1.0" x 4.0" x 4.9" including tabs & BNC (25 x 102 x 124mm)
Mounting Hole	0.20" Diameter (5.0mm)
Shipping Dimensions	3.0" x 6.9" x 9.7" (76 x 175 x 246mm)
Shipping Weight	2.0lbs (0.91kg)

ER1500U Receiver

Network Port	RJ45 Jack
Link Port	RJ45
Ethernet	Auto Configuring 100BASE-TX Full Duplex
Power Connector	2.5mm (ID) x 5.5mm (OD) Barrel
LED Indicators	Link Status, Power, PoE out, 10Mb or 100Mb
PoE Compliance	IEEE 802.3af & IEEE 802.3at
PoE Output	45 Watts total output power (with a 1A/48Vdc PS48 power supply)
Max Operating Distance	2000ft /600m
DC Voltage Input	48 to 56Vdc, 800mA
Power Draw per Device	1.8 Watts
Rating/Listing	UL IEC/UL 60950-1 NEMA TS-2 Temperature & Humidity NEMA 2.2.7 Mechanical Vibration NEMA 2.2.8 Mechanical Shock NEMA 2.2.9 Operating Voltage NEMA 2.1.2 Operating Frequency NEMA 2.1.3 Transient Test NEMA 2.1.6 thru 2.1.8
Operating Temperature	-40° to 75° C / -40° to 167° F
Humidity	Up to 95% non-condensing
Dimensions	1.1" x 1.6" x 4.3" including tabs & BNC (28 x 41 x 130mm)
Mounting	Two 3/8 inch (9.5mm) mounting slots

Common Installation



For this installation, the Transmitter can provide PoE or PoE+ to the network devices depending on the optional power supply rating, while the Receiver provides PoE power for the Transmitter.