



INCLUDED



HARDENED



FLEXIBILITY



30W POE+



CONVERTER



The ComNet™ CNMCSFP electrical-to-optical Ethernet media converters accept a 10/100 or 1000 Mbps electrical input and converts this to a 100 or 1000 Mbps optical output (selected by a dip switch) and the 100/1000 Mbps optical input back to the 10/100/1000 Mbps electrical output. "Auto-Negotiating" is supported on the copper interface side. These devices use either one or two optical fibers, depending upon the selection of sold-separately SFP optical module. A PoE model, the CNMCSFPPOE[/M] meets the IEEE802.3at standard and provides 30 watts of PoE+ power. The series consists of a small-size single channel model, CNMCSFP/M; a ComFit standard size, single-channel model, CNMCSFP; and a dual channel, the CNMC2SFP. The CNMCSFPPOE can be rack mounted and used with a ComNet 48VDC 1RU power supply (sold separately).

FEATURES

- › Full-duplex transmission of 10/100/1000 Mbps Ethernet
 - 10/100/1000BASE-TX electrical port
 - 1000BASE-FX or 100BASE-FX optical port when used with suitable ComNet SFPs
- › IEEE 802.3 compliant
- › 10/100/1000 BASE-TX port supports auto-negotiation and automatic MDI/MDI-X crossover for full and half-duplex operation
- › Uses customer-installed ComNet SFPs for compatibility with a wide range of optical fibers, optical connector types, and optical transmission distances of up to 120 km
- › Designed for installation in harsh out-of-plant/unconditioned industrial or roadside operating environments (-40° to +75°C ambient). Fully compliant with the environmental requirements of NEMA TS-2 for Traffic Signal Control Equipment
- › Voltage transient protection on all power and signal input/output line provide protection from voltage surges and other transient events
- › Mini-package size of the CNMCSFP/M allows the unit to be installed in those locations where space is at a premium.

- › Bi-color LED status indicators confirm operating status
- › Hot-swappable rack modules
- › Available in small-size, ComFit interchangeable stand alone or rack unit single and dual models
- › Power supplies are always provided with the product
- › Lifetime warranty
- › Made in the U.S.A.

APPLICATIONS

- › Optical transmission of Ethernet-compatible industrial security access control systems, intercom systems, VOIP (Voice over IP) telephony networks, and IP-compatible CCTV camera surveillance networks
- › Optical Ethernet transmission to wireless LAN access points
- › Industrial Security, Transportation/ITS, and Industrial Control/Factory Automation IP Networks
- › Optical transmission of any Ethernet-compatible equipment with a maximum data rate of 100 Mbps or 1000 Mbps

** Small Form-Factor Pluggable Module. Sold separately.*

SPECIFICATIONS

Data	
Data Interface	Ethernet
Data Rate	10/100 Mbps IEEE 802.3 Compliant Full Duplex or Half Duplex Electrical Port/ Full Duplex Optical Port
Connectors¹	
Power	Terminal Block
Optical	SFP dependent
Electrical	RJ45
Fibers¹	
Fiber Connectors: SFP Dependent	
Requires selection of sold-separately SFP modules. See ComNet data sheet for number and description of SFP modules.	
LED Indicators	
	Optical Link/Data Activity
	Power
	PoE Enabled (CNMCSFPPOE/M only)

Power	
Operating Voltage Range	CNMCSFPPOE/M: 48 - 57 VDC @ 0.85A Surface Mount: 9-24 VDC @ 200mA max., or 24 VAC @ 200mA max.
Power Consumption	CNMCSFPPOE/M: 48W Surface Mount: 5W
Electrical & Mechanical	
Current Protection	Automatic Resettable Solid-State Current Limiters
Circuit Board	Meets IPC Standard
ComFit Size	6.1 x 5.3 x 1.1 in (15.5 x 13.5 x 2.8 cm)
Mini Size	3.3 x 2.5 x 1.1 in (8.4 x 6.4 x 2.8 cm)
Shipping Weight	<2 lbs./0.9 kg
Environmental	
MTBF	>100,000 hours
Operating Temp	-40° C to +75° C
Storage Temp	-40° C to +85° C
Relative Humidity	0% to 95% (non-condensing) ²



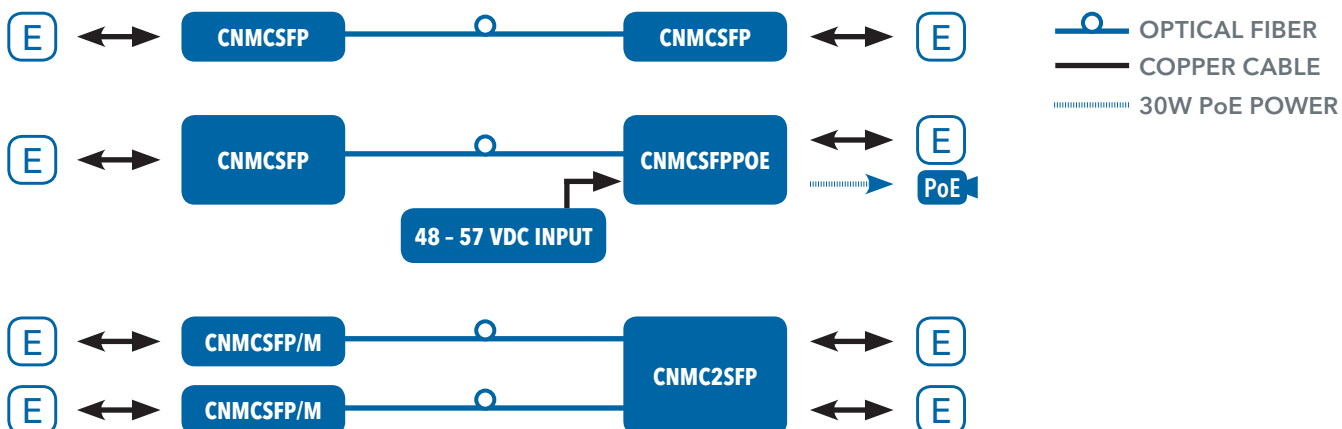
[1] Multimode fiber needs to meet or exceed fiber standard ITU-T G.651. Single mode fiber needs to meet or exceed fiber standard ITU-T G.652

ORDERING INFORMATION

Part Number	Description	# Rack Slots
CNMCSFP/M	Mini 10/100/1000Mbps Ethernet Media Converter	N/A
CNMCSFPPOE/M	Mini 10/100/1000Mbps Ethernet Media Converter with IEEE 802.3at 30W PoE+	N/A
CNMCSFP	ComFit 10/100/1000Mbps Ethernet Media Converter	1
CNMC2SFP	ComFit Dual 10/100/1000Mbps Ethernet Media Converter	1
Included Accessories	DC Plug-in Power Supply, 90-264 VAC, 50/60 Hz (Included) 48 Volt DC Plug-in Power Supply provided with CNMCSFPPOE/M model only.	
Options	[2] Add suffix '/C' for Conformally Coated Circuit Boards to extend to condensation conditions (Extra charge, consult factory) 1RU/48VDC Power Supply with Power Module Available (Extra charge, consult factory) DIN-Rail Mounting Adaptor Plate Kit - With Mounting Hardware (Optional, order model DINBKT1)	

TYPICAL APPLICATIONS

Fiber Count, Type and Distance are dependent on SFP selection



Low Power Consumption