

NETGEAR®

Installation Guide

Connect with Innovation™

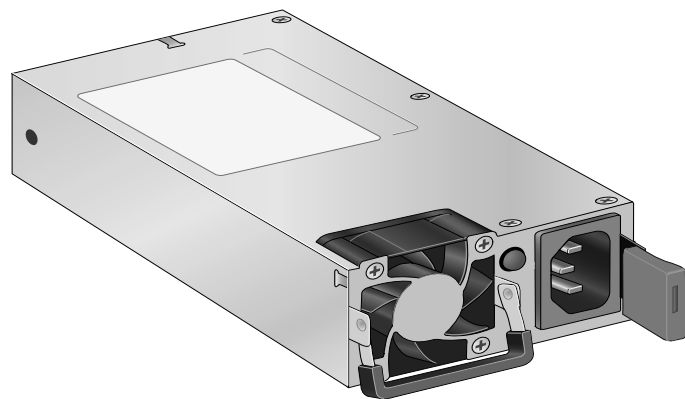
ProSafe Auxiliary Power Supply APS1000W

The ProSafe® Auxiliary Power Supply APS1000W provides a replaceable power supply module for the RPS4000 Redundant Power System. The RPS4000 Redundant Power System provides power system redundancy for NETGEAR managed and smart switches that have an RPS capability.

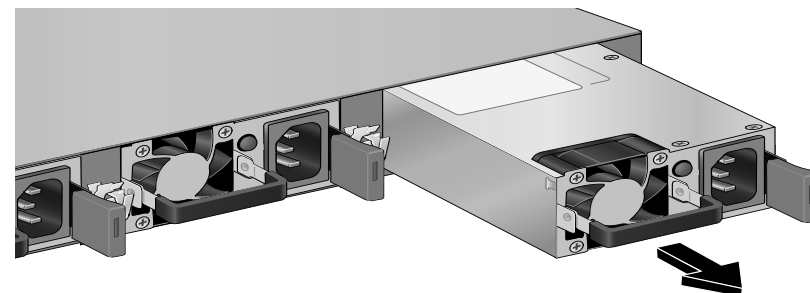
Package Contents

This package includes:

- Auxiliary Power Supply APS1000W
- AC power cable
- *Installation Guide* (this document)



Replace an APS1000W Power Supply



Remove an APS1000W Power Supply

1. Remove the power cord from the power supply.
2. Press in the release latch on the right side of the power supply module, and slide the power supply module out.

Install an APS1000W Power Supply

WARNING: When inserting a power supply module into the RPS4000, do not use unnecessary force. Doing so can damage the connectors.

1. Insert the new power supply module into a power supply module slot, and gently push the module into the slot.
2. Insert the AC power cord into the power supply module and connect the power cord to an AC outlet.

Specifications

Specifications	
Dimensions (H x W x D)	1.64" x 3.6" x 8.65" (39.3 mm x 86.36 mm x 207.56 mm)
Weight	2.27 lb (1.03 Kg)
Operating temperature	0–50° C (32–122° F)
Storage temperature	–45 to 85° C (–49 to 185° F)
Operative relative humidity	10–90% non-condensing
MTBF	1,272,908 hours (~145 years) @ 25°C

Technical Support

Thank you for selecting NETGEAR products.

After installing your device, locate the serial number on the label of your product, and use it to register your product at <http://www.NETGEAR.com/register>. Registration is required to use the telephone support service.

For product updates, additional documentation, and support go to:
<http://support.netgear.com>.

For complete DoC, go to the NETGEAR EU Declarations of Conformity website at:
http://support.netgear.com/app/answers/a_id/11621.



201-15302-01



July 2012



This symbol was placed in accordance with the European Union Directive 2002/96 on the Waste Electrical and Electronic Equipment (the WEEE Directive). If disposed of within the European Union, this product should be treated and recycled in accordance with the laws of your jurisdiction implementing the WEEE Directive.

NETGEAR, the NETGEAR logo, and Connect with Innovation are trademarks and/or registered trademarks of NETGEAR, Inc. and/or its subsidiaries in the United States and/or other countries. Information is subject to change without notice. Other brand and product names are registered trademarks or trademarks of their respective holders. © 2012 NETGEAR, Inc. All rights reserved. For indoor use only in all EU countries and Switzerland.