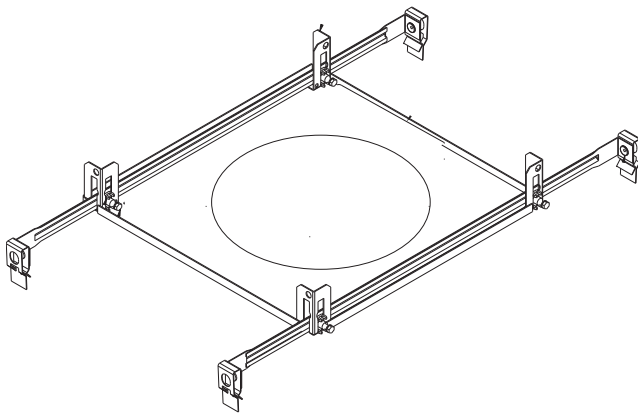


# VGA-IC-SP In-ceiling Support Kit

www.boschsecurity.com

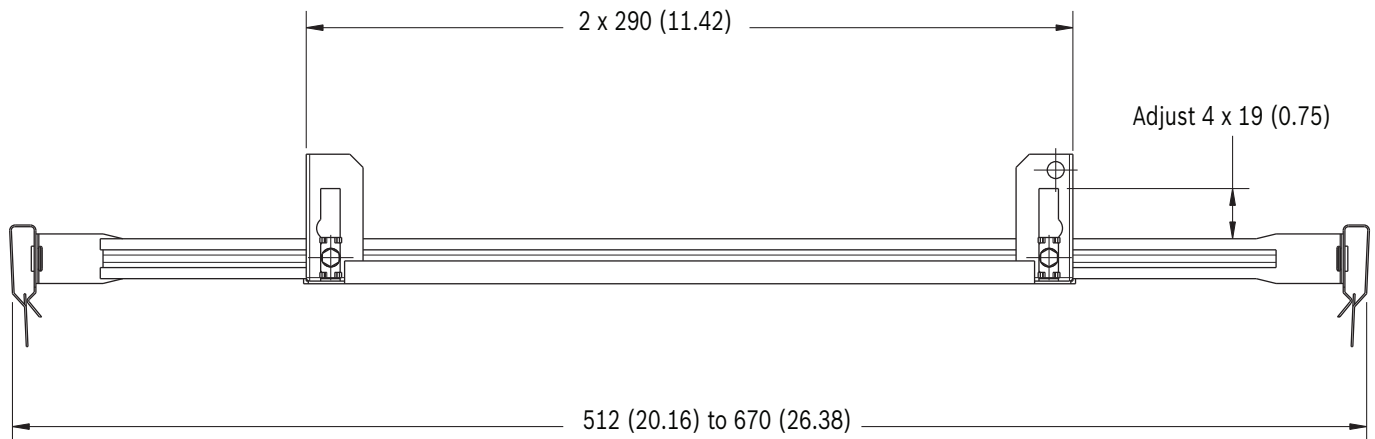


**BOSCH**  
Invented for life



- ▶ Easy installation
- ▶ Sturdy construction

## Installation/configuration notes



## Parts included

The packaging contains:

	Item
1x	Mount
	Attachment components

## Technical specifications

Aperture	Ø177 mm (Ø7 in)
Maximum supported weight	11.3 kg (25 lb)
Finish	Zinc plate

## Ordering information

### VGA-IC-SP In-ceiling Support Kit

Suspended ceiling support kit for dome cameras.

Aperture Ø177 mm (Ø7 in); maximum supported

weight 11.3 kg (25 lb)

Order number **VGA-IC-SP**

---

#### Represented by:

##### Americas:

Bosch Security Systems, Inc.  
130 Perinton Parkway  
Fairport, New York, 14450, USA  
Phone: +1 800 289 0096  
Fax: +1 585 223 9180  
security.sales@us.bosch.com  
www.boschsecurity.us

##### Europe, Middle East, Africa:

Bosch Security Systems B.V.  
P.O. Box 80002  
5617 BA Eindhoven, The Netherlands  
Phone: + 31 40 2577 284  
Fax: +31 40 2577 330  
emea.securitysystems@bosch.com  
www.boschsecurity.com

##### Asia-Pacific:

Robert Bosch (SEA) Pte Ltd, Security  
Systems  
11 Bishan Street 21  
Singapore 573943  
Phone: +65 6571 2808  
Fax: +65 6571 2699  
apr.securitysystems@bosch.com  
www.boschsecurity.asia

##### China:

Bosch (Shanghai) Security Systems Ltd.  
203 Building, No. 333 Fuquan Road  
North IBP  
Changning District, Shanghai  
200335 China  
Phone +86 21 22181111  
Fax: +86 21 22182398  
www.boschsecurity.com.cn

##### America Latina:

Robert Bosch Ltda Security Systems Division  
Via Anhanguera, Km 98  
CEP 13065-900  
Campinas, Sao Paulo, Brazil  
Phone: +55 19 2103 2860  
Fax: +55 19 2103 2862  
latam.boschsecurity@bosch.com  
www.boschsecurity.com