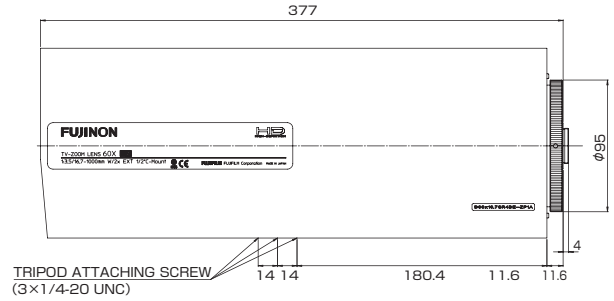
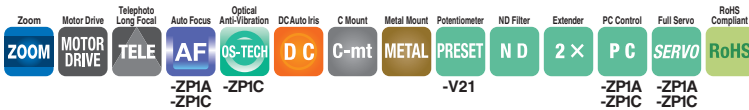


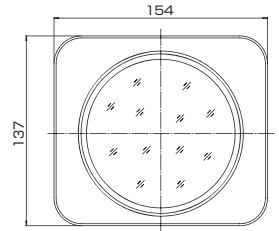
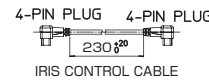
HD Zoom (2000mm 2M)

D60x16.7SR4 Series

60x Applicable camera (micro) 1 2/3 1/1.8 1/2 1/3 1/4



TRIPOD ATTACHING SCREW (3x1/4-20 UNC)



Unit : mm

NEW

Coming Soon

Coming Soon

		D60x16.7SR4DE-V21		D60x16.7SR4DE-ZP1A (AF)		D60x16.7SR4FE-ZP1C (AF and Anti-Vibration)	
Focal Length (mm)	1x	16.7 - 1000		16.7 - 1000		16.7 - 1000	
	2x	33.4 - 2000		33.4 - 2000		33.4 - 2000	
Iris Range	1x	F3.5 - F16		F3.5 - F16		F3.5 - F16	
	2x	F7.0 - F32		F7.0 - F32		F7.0 - F32	
Filter		ND (1/8, 1/64), Visible Light Cut				ND (1/8, 1/64), Visible Light Cut	
Operation	Zoom	Motor Drive				Motor Drive	
	Focus	Motor Drive				Motor Drive	
	Iris	Auto (DC type) or Remote*1				Auto (DC type) or Remote*1	
AF		N/A		Available (with analog camera)		Available (with analog camera)	
Optical Anti-Vibration		N/A		N/A		Available	
Angle of View (H x V) (4:3) (mm)	1/1.8"	1x	WIDE	23 4' x 17 40'	23 5' x 17 41'		
			TELE	0 25' x 0 19'	0 25' x 0 19'		
		2x	WIDE	11 45' x 8 53'	11 46' x 8 54'		
	1/2"	1x	WIDE	0 12' x 0 9'	0 12' x 0 9'		
			TELE	0 12' x 0 9'	0 12' x 0 9'		
		2x	WIDE	20 51' x 15 54'	20 53' x 15 55'		
Angle of View (H x V) (16:9) (mm)	1/1.8"	1x	WIDE	24 53' x 14 34'	24 56' x 14 34'		
			TELE	0 27' x 0 15'	0 27' x 0 15'		
		2x	WIDE	12 45' x 7 17'	12 47' x 7 18'		
	1/2"	1x	WIDE	0 14' x 0 8'	0 14' x 0 8'		
			TELE	0 14' x 0 8'	0 14' x 0 8'		
		2x	WIDE	22 33' x 13 5'	22 35' x 13 6'		
Focus Range (From the Lens Front) (m)	1/1.8"	1x	WIDE	1972 x 1503	1975 x 1504		
			TELE	35 x 27	35 x 27		
		2x	WIDE	995 x 27	998 x 753		
	1/2"	1x	WIDE	18 x 13	18 x 13		
			TELE	1780 x 1351	1782 x 1353		
		2x	WIDE	32 x 24	32 x 24		
Object Dimensions at M.O.D.(H x V) (4:3) (mm)	1/1.8"	1x	WIDE	895 x 675	896 x 676		
			TELE	16 x 12	16 x 12		
		2x	WIDE	2133 x 1236	2137 x 1237		
	1/1.8"	1x	WIDE	38 x 22	38 x 22		
			TELE	1081 x 616	1084 x 617		
		2x	WIDE	19 x 11	19 x 11		
1/2"	1x	WIDE	1929 x 1110	1931 x 1111			
		TELE	34 x 20	34 x 20			
	2x	WIDE	972 x 553	974 x 553			
1/2"	1x	WIDE	17 x 10	17 x 10			
		TELE	17 x 10	17 x 10			
	2x	WIDE	24.92	24.85			
Back Focal Distance (in air) (mm)							
Filter Thread (mm)		M112 x 0.75		M112 x 0.75		M112 x 0.75	
Mass (kg)		6.3		6.3		TBA	
Wiring Diagram		See P. 19		-		-	

*1: For details on the Iris-Remote connection, see the relevant Technical Reference (Page 23).