

Description

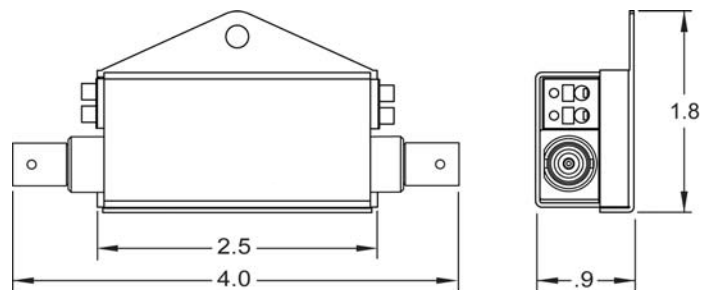
The **IPCOAX1** is a single channel, in-line, Ethernet over COAX surge protector for IP cameras. In addition it provides independent protection for 12 or 24 volt power, which can be used with heaters, blowers or PTZ. The unit has standard female BNC connectors for connection to coaxial cables and is ideal for small or restricted spaces. The IPCOAX1 provides a heavy duty, single point ground connection and is easy to install in minutes.

Specifications

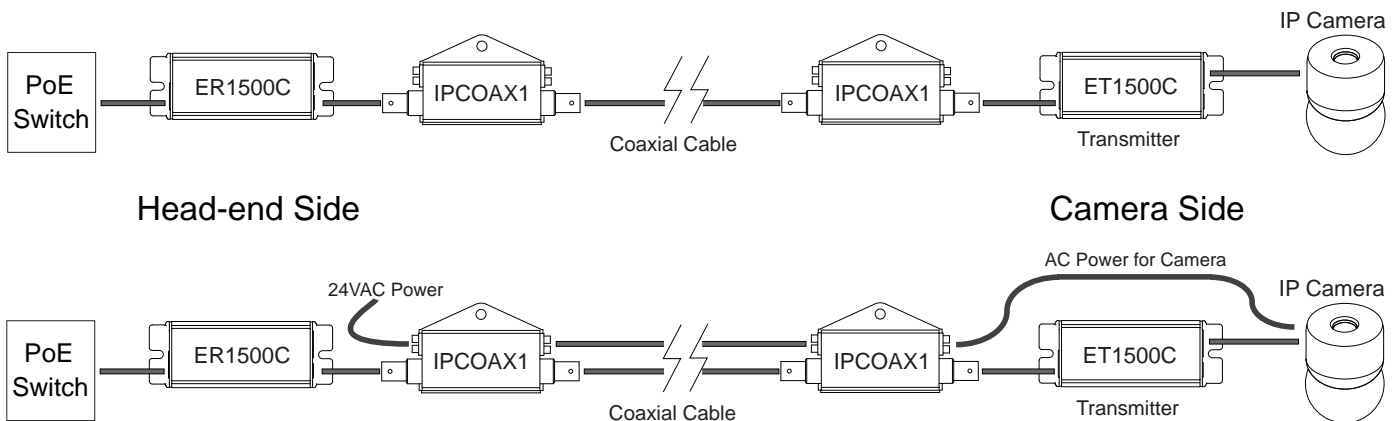
Size	0.9" H x 2.5" W x 1.8" D (see Below)
Ethernet over COAX	Standard female BNC
Connection Power	Push-in terminals - rate @ 5 amps
Clamping	
12/24VAC/DC	30 Vrms
Data/PoE+ Ethernet	58 Vp-p
Transient Response Time	1 picosecond typ.
Peak Pulse Power Dissipation	3,000 W/pair (10/100us)
Impedance	50 or 75 Ohms
Temperature	-40C to +85C
Shipping Weight	1 lb

Features

- Heavy duty single point ground
- 1 picosecond clamping time
- Lifetime warranty
- Separate power protection for 12 or 24 VAC
- Will pass PoE+ power



Basic Hookups



USA

5410 Newport Drive, # 24
 Rolling Meadows, IL 60008
 Phone: (847) 259-8900
 Fax: (847) 259-1300
 E-mail: info@nitek.net
 WWW.NITEK.NET

EUROPE

De Schans 19-21 2a
 8231 KA Lelystad
 Tel: +31(0)320-230005
 Fax: +31(0)320-282186
 E-mail: info@nitek.nl
 WWW.NITEK.NL