

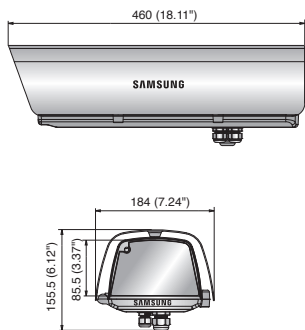
# Fixed Housings



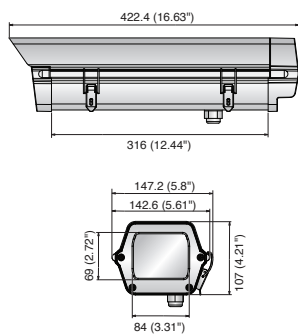
|                       | SHB-4300H       | SHB-4300H1                                   | SHB-4300H2                                   | SHB-4200H                                    | SHB-4200   | STH-500  | STH-200                                       |  |
|-----------------------|-----------------|--|--|--|--|--|---|--|
| Open Type             | Side open       | Side open                                    | Side open                                    | Side open                                    | Side open  | Side open  | Side open                                     |  |
| Cable Entry           | Nylon gland     | Nylon gland                                  | Nylon gland                                  | Nylon gland                                  | Nylon gland                                      | Nylon gland                                      | Nylon gland                                   |  |
| Operating             | Set             | -35°C ~ +50°C<br>(-31°F ~ +122°F)            | -50°C ~ +50°C<br>(-58°F ~ +122°F)            | -50°C ~ +50°C<br>(-58°F ~ +122°F)            | -35°C ~ +50°C<br>(-31°F ~ +122°F)                | -10°C ~ +50°C<br>(14°F ~ +122°F)                 | -10°C ~ +50°C<br>(14°F ~ +122°F)              | -40°C ~ +50°C<br>(-40°F ~ +122°F)            |
|                       | Heater          | 5°C ± 5°C on                                 | 5°C ± 5°C on                                 | 5°C ± 5°C on                                 | 4°C ± 3°C on                                     | N/A  | N/A   | N/A  |
|                       | Blower          | +45°C ~ +5°C on                              | +45°C ~ +5°C on                              | +45°C ~ +5°C on                              | +45°C ~ +5°C on                                  | N/A  | N/A   | N/A  |
| Defroster             | N/A             | Constant                                     | Constant                                     | N/A  | N/A  | N/A  | N/A   |  |
| Operating Humidity    | -20% ~ 49% RH   | -20% ~ 49% RH                                | -20% ~ 49% RH                                | -20% ~ 49% RH                                | -20% ~ 49% RH                                    | -20% ~ 49% RH                                    | -20% ~ 49% RH                                 |  |
| Materials             | Aluminum        | Aluminum                                     | Aluminum                                     | Aluminum                                     | Aluminum   | Aluminum   | Aluminum                                      |  |
| Ingress Protection    | IP66            | IP66   | IP66   | IP66   | IP66   | N/A  | N/A   |  |
| Dimensions<br>(WxHxD) | External        | 184 x 127 x 460mm<br>(7.24" x 5" x 18.11")   | 184 x 127 x 460mm<br>(7.24" x 5" x 18.11")   | 184 x 127 x 460mm<br>(7.24" x 5" x 18.11")   | 147.2 x 107 x 422.4mm<br>(5.8" x 4.21" x 16.63") | 147.2 x 107 x 422.4mm<br>(5.8" x 4.21" x 16.63") | 144 x 100 x 500mm<br>(5.67" x 3.94" x 19.69") | 118 x 92 x 405mm<br>(4.65" x 3.62" x 15.94") |
|                       | Internal        | 100 x 80 x 383mm<br>(3.94" x 3.15" x 15.08") | 100 x 80 x 383mm<br>(3.94" x 3.15" x 15.08") | 100 x 80 x 383mm<br>(3.94" x 3.15" x 15.08") | 84 x 69 x 319mm<br>(3.31" x 2.72" x 12.56")      | 84 x 69 x 319mm<br>(3.31" x 2.72" x 12.56")      | 88 x 68 x 383mm<br>(3.46" x 2.68" x 15.08")   | 70 x 56 x 360mm<br>(2.76" x 2.2" x 14.17")   |
| Weight                | 3.5Kg (7.72 lb) | 3.7Kg (8.16 lb)                              | 3.7Kg (8.16 lb)                              | 1.1Kg (2.3 lb)                               | 1Kg (2.2 lb)                                     | 1.5Kg (3.31 lb)                                  | 1Kg (2.2 lb)                                  |  |
| Input Voltage         | 24V AC          | 24V AC                                       | 230V AC                                      | 24V AC                                       | N/A  | N/A  | N/A   |  |
| Color                 | Ivory           | Ivory  | Ivory  | Ivory  | Ivory  | Ivory  | Ivory   |  |
| Applicable Model      | Box Cameras     |  |  |  |  |  |   |  |

## Dimensions

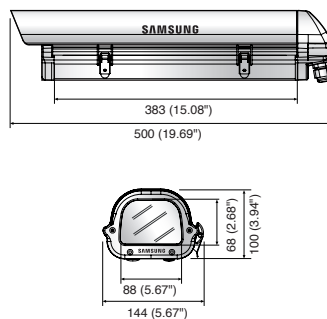
Unit : mm (inch)



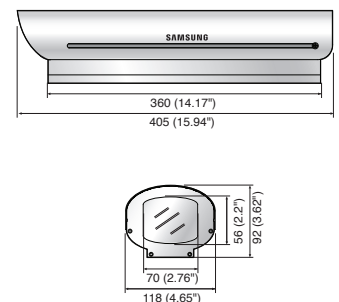
SHB-4300H/4300H1/4300H2



SHB-4200H/4200



STH-500



STH-200